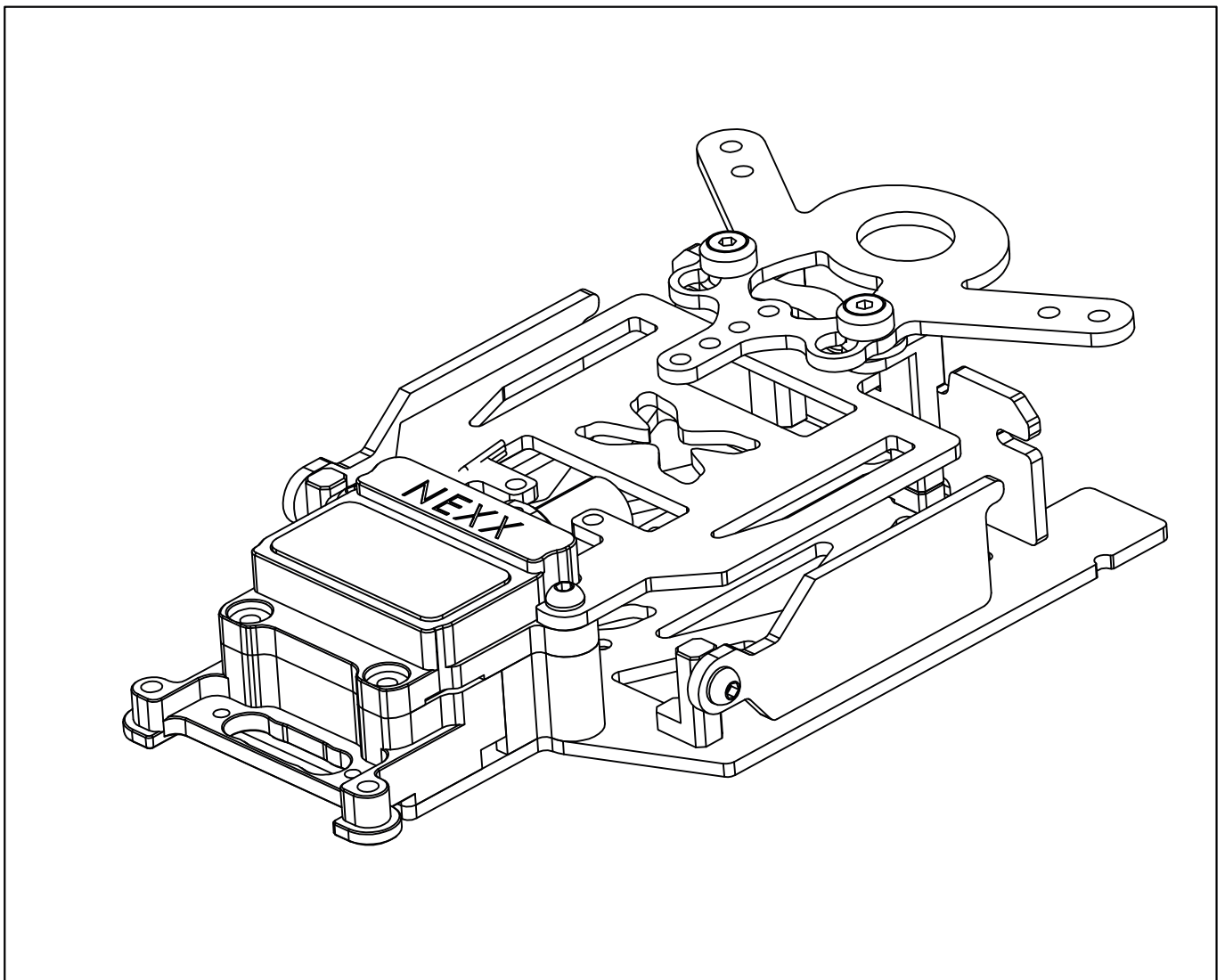


# Nexx Racing SKYLINE Dual Lipo Carbon Chassis Conversion Kit For Kyosho MR03 ASSEMBLY



## **Recommended electronics:**

**ESC:** PN, ENSOTECH, ATOMIC, GL, KYOSHO;

**SERVO :** Stock mini-Z MR03 servo gears and KYOSHO main board, PN RACING servo board, other servo boards that are taken off from micro servos...

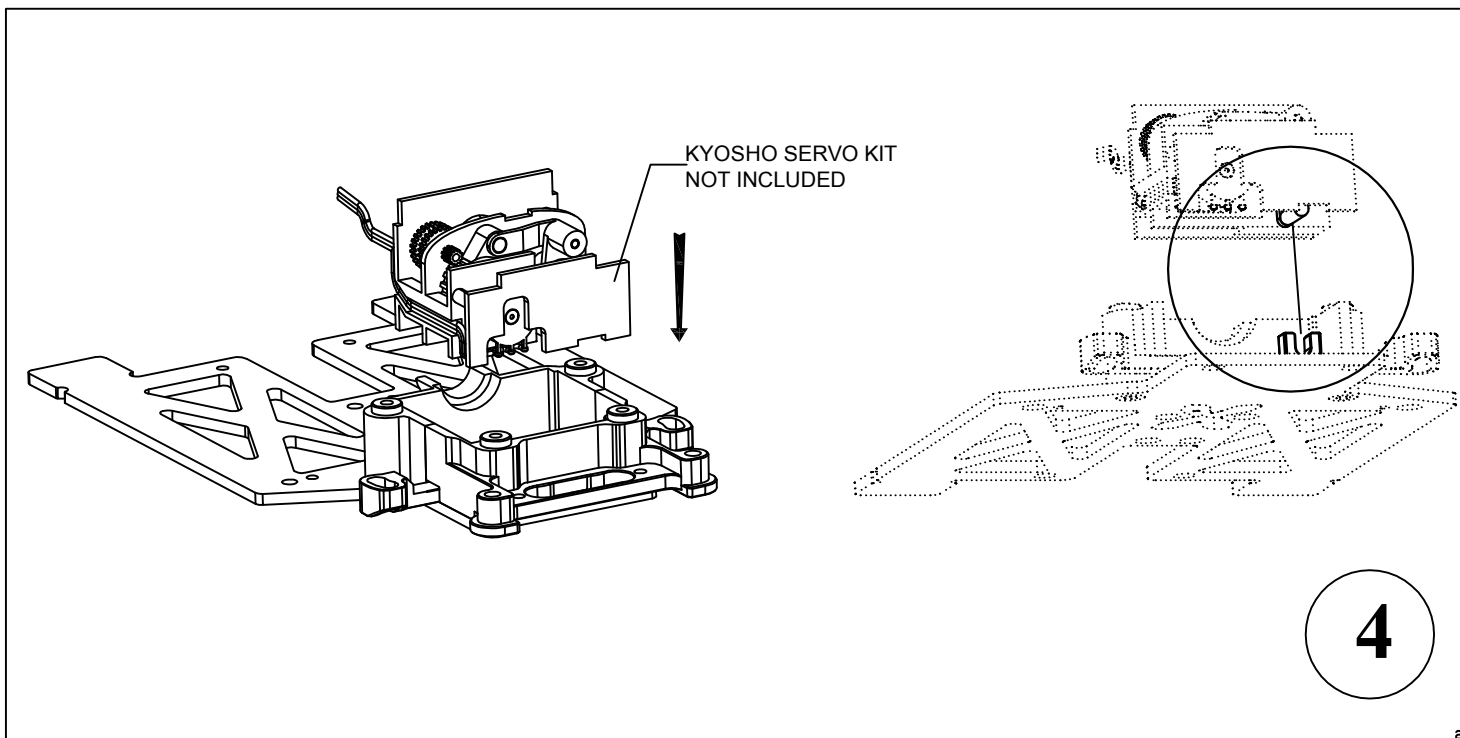
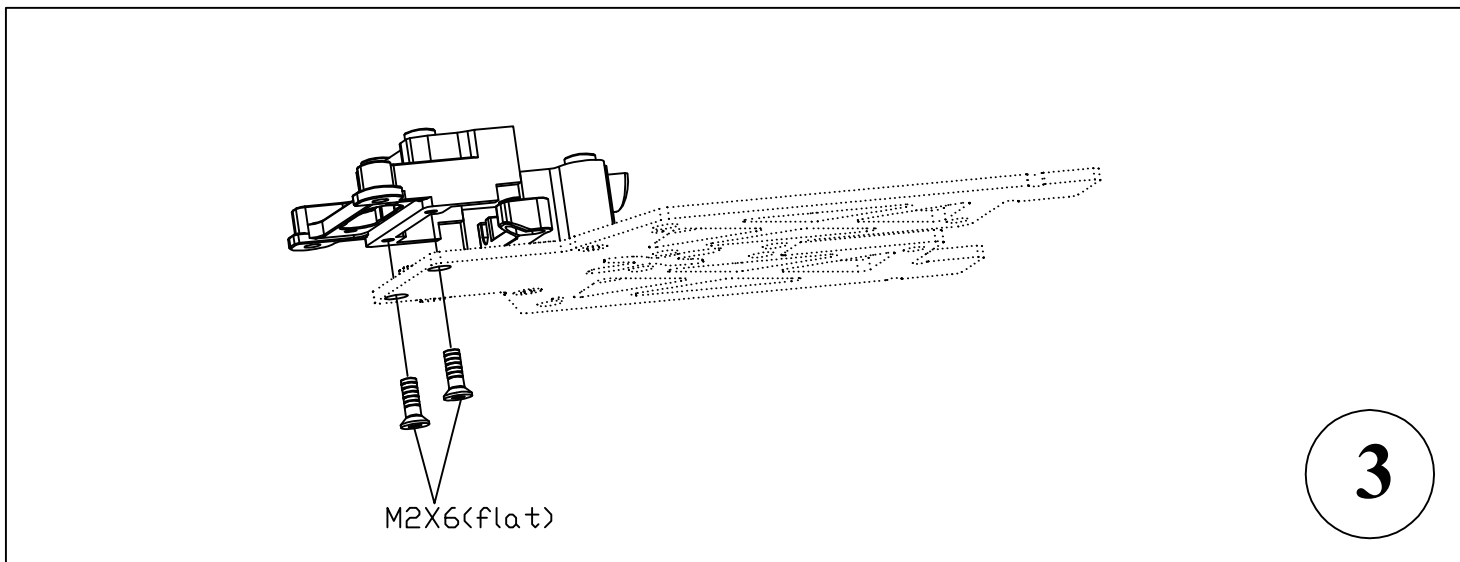
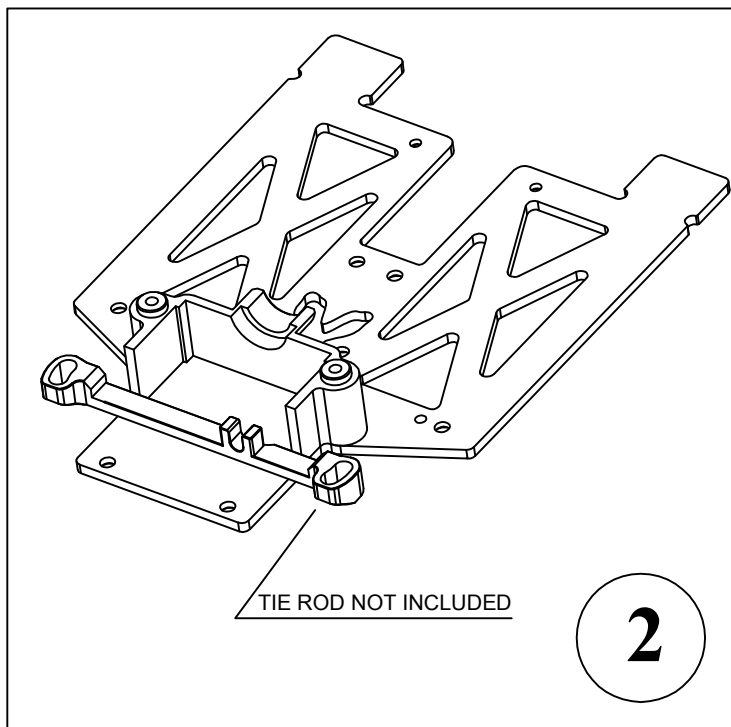
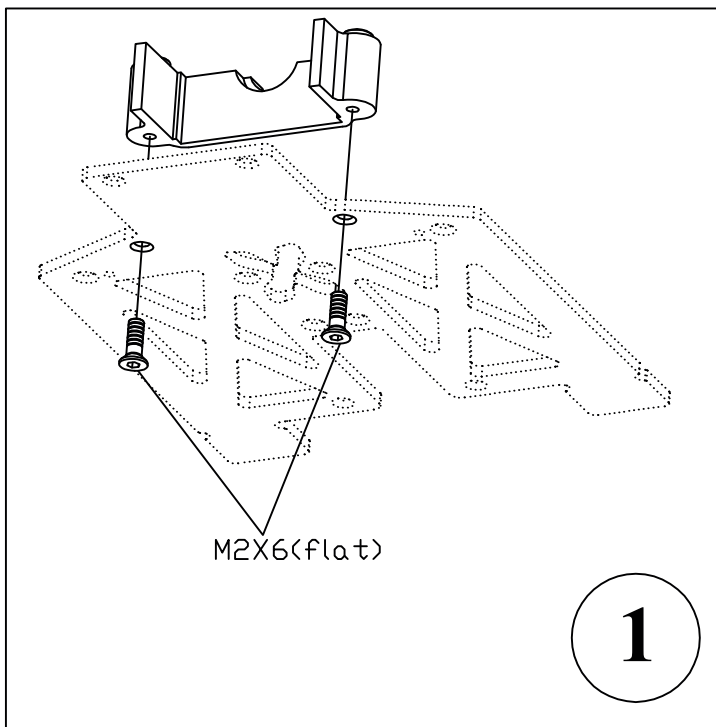
**MOTOR :** All 1/28 motors on the market that fit your motor mount you are using.

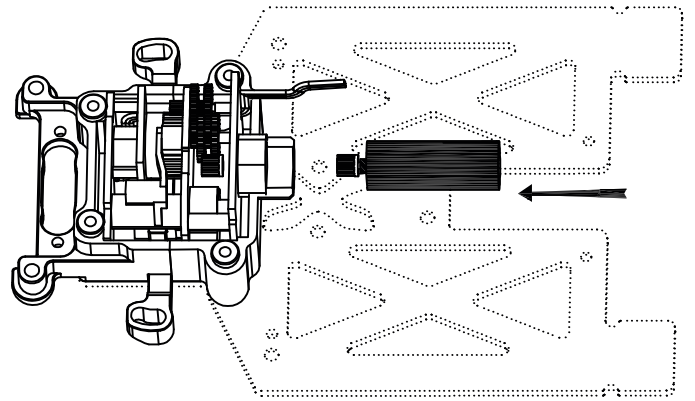
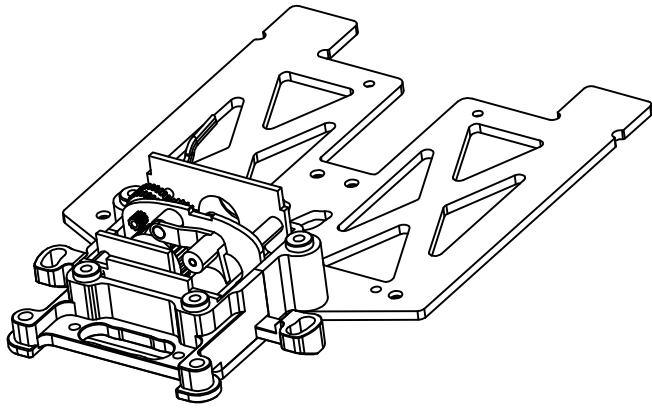
**BODY:** Can use plastic hard bodies or lexan bodies

**CENTER SHOCK AND DAMPER:** KYOSHO, NEXX, PN center shocks.

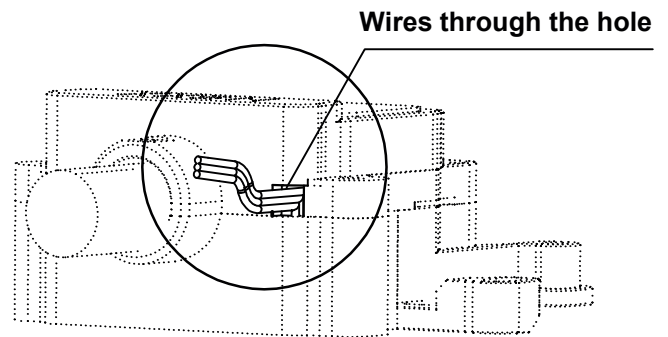
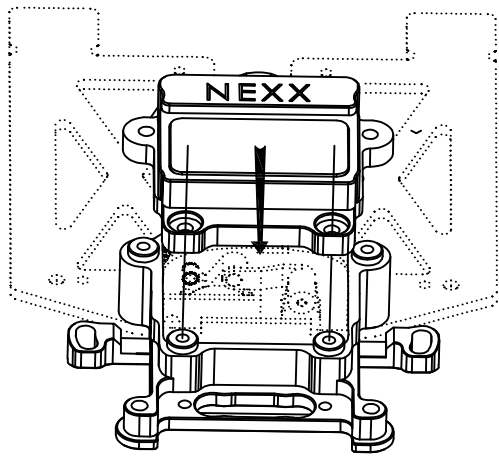
**BATTERIES:** GL Racing batteries, any 2s batteries that fits battery compartment 20x 40x 11.5mm

**FRONT SUSPENSION:** NEXXRACING V-LINE; PN RACING DOUBLE A ARM...

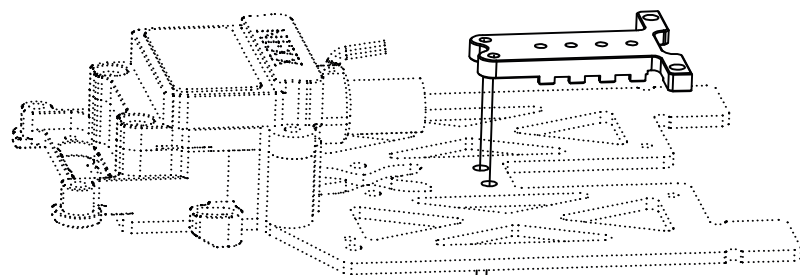




5

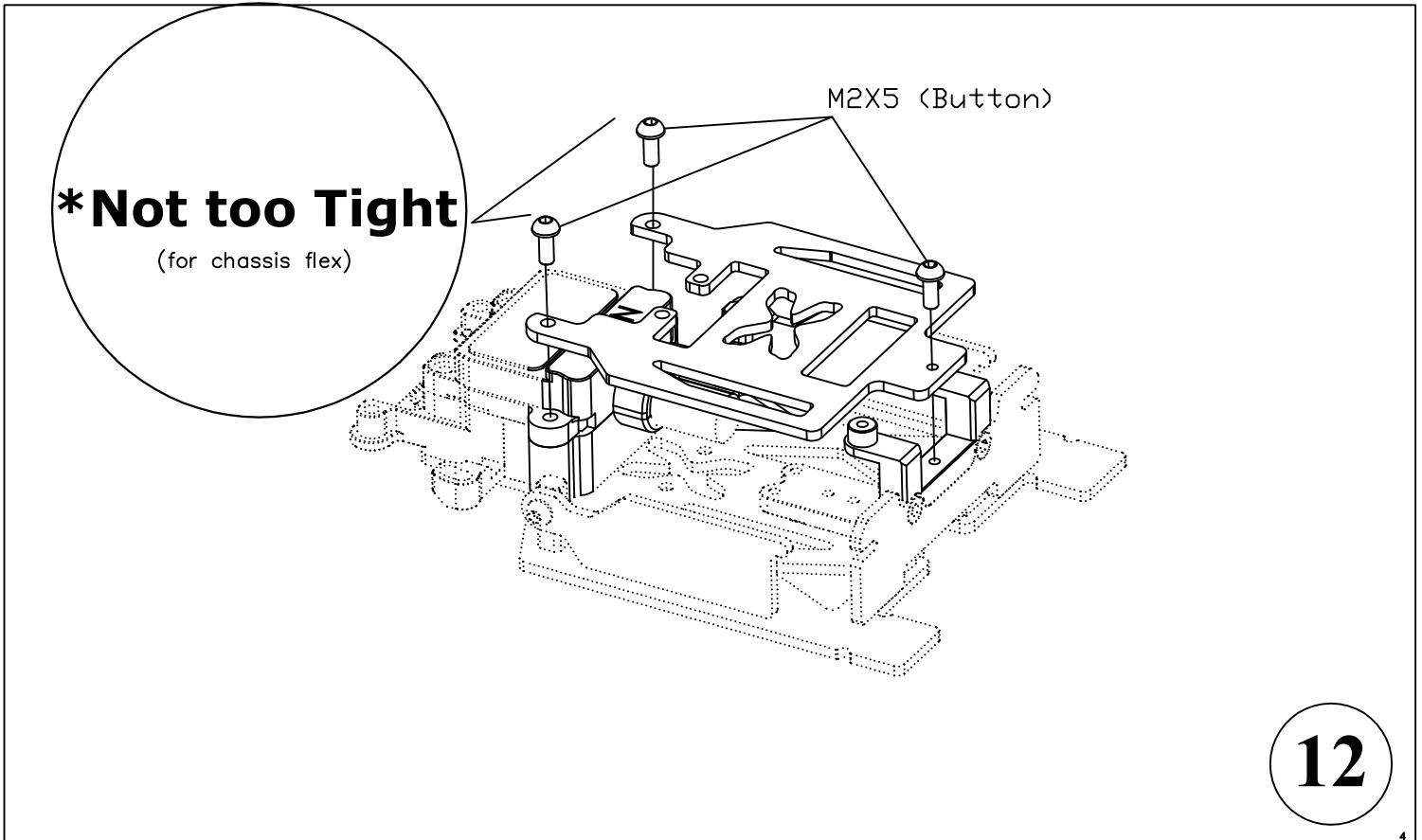
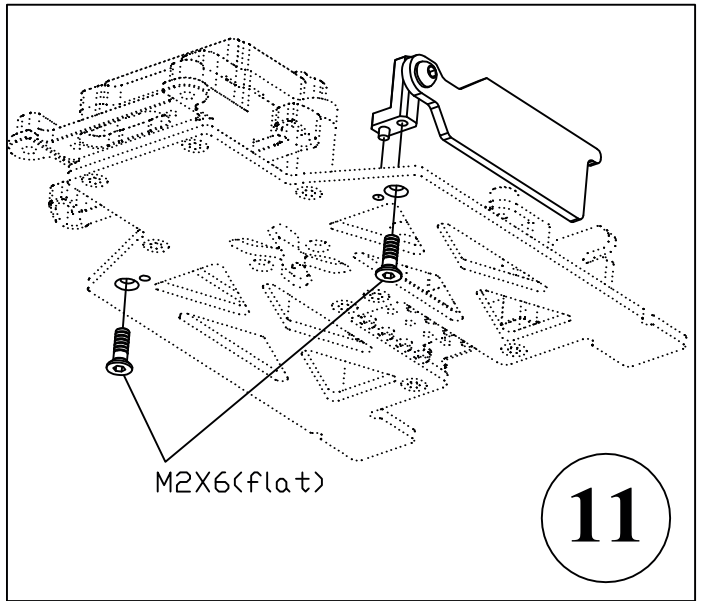
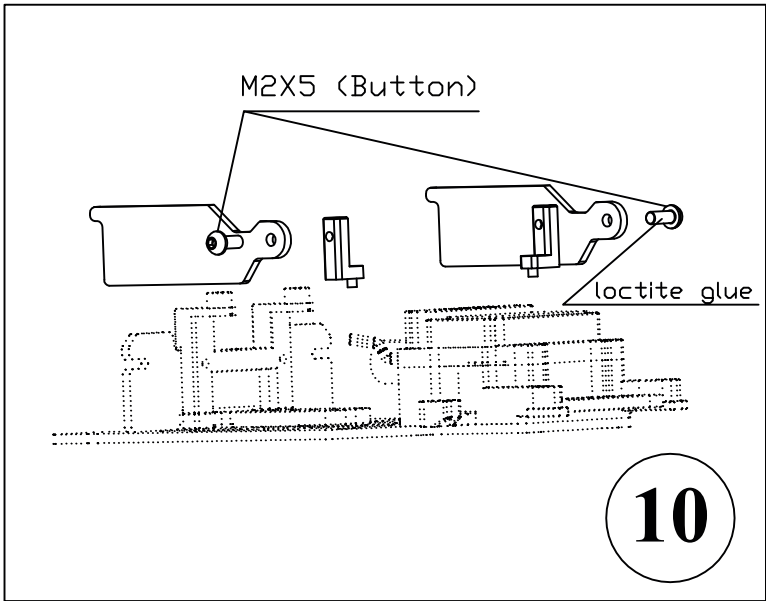
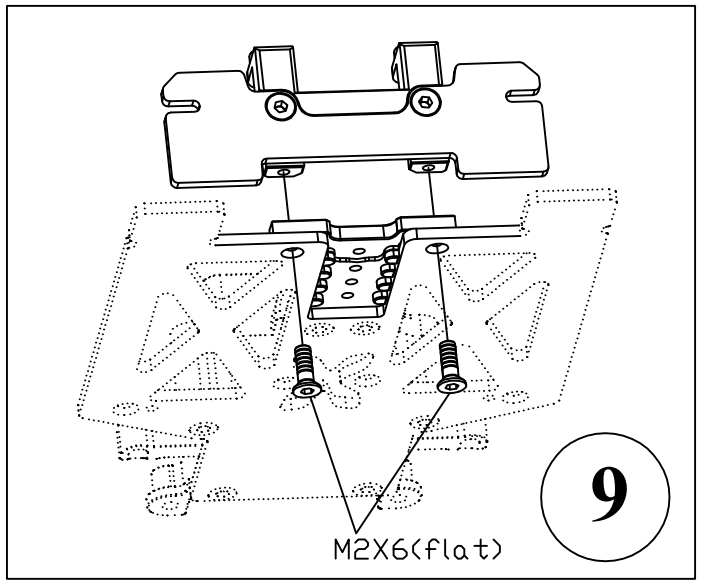
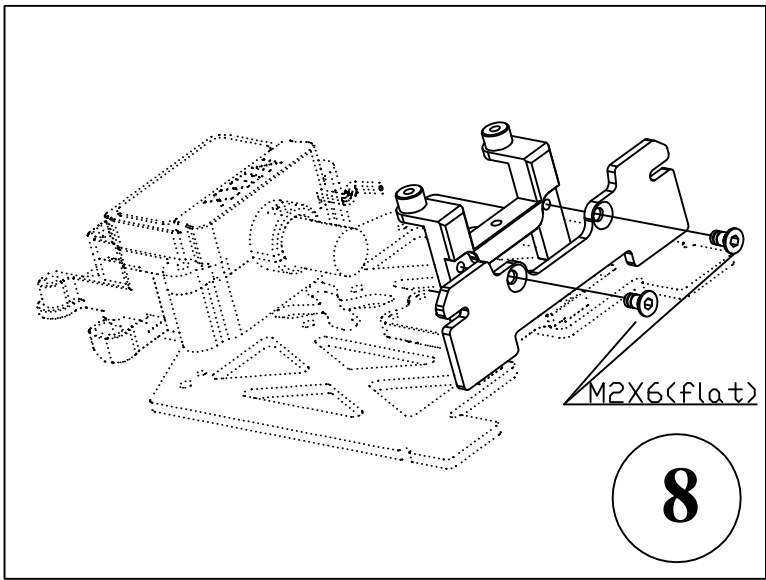


6

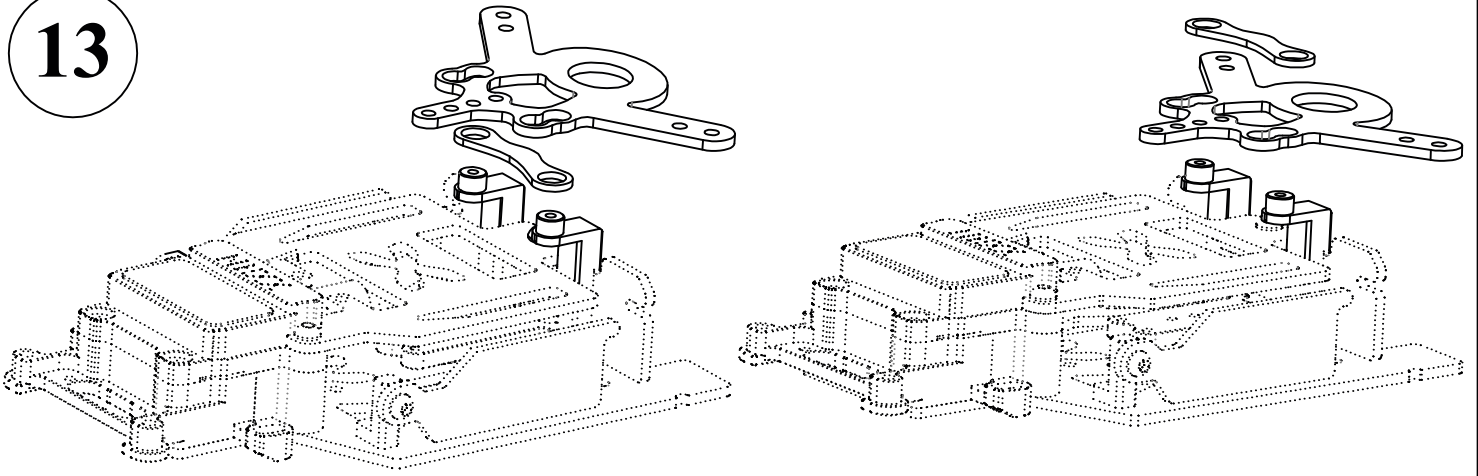


M2X3 (flat)

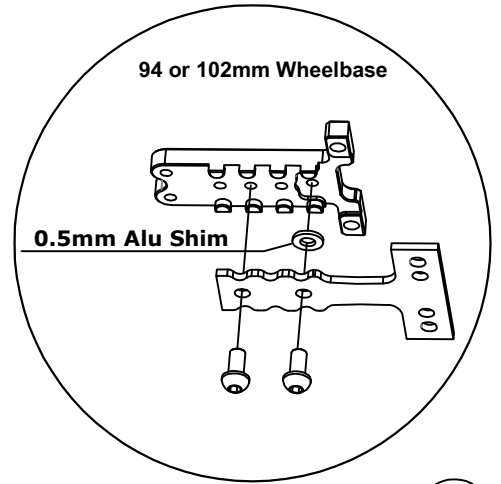
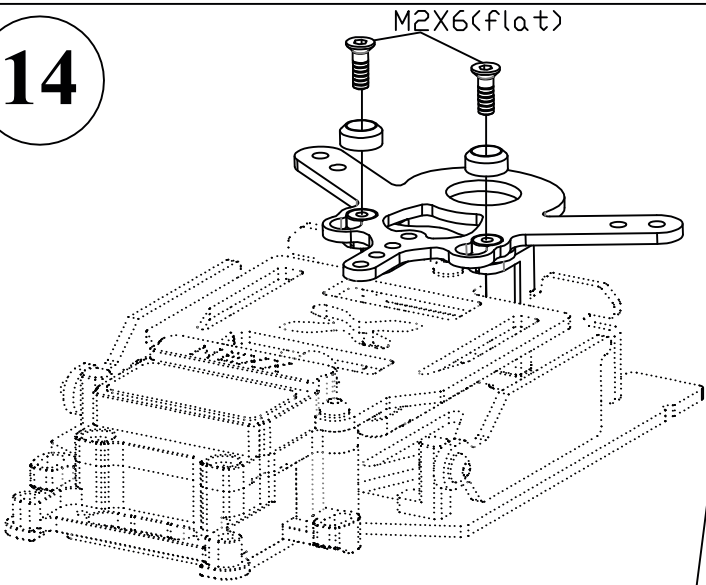
7



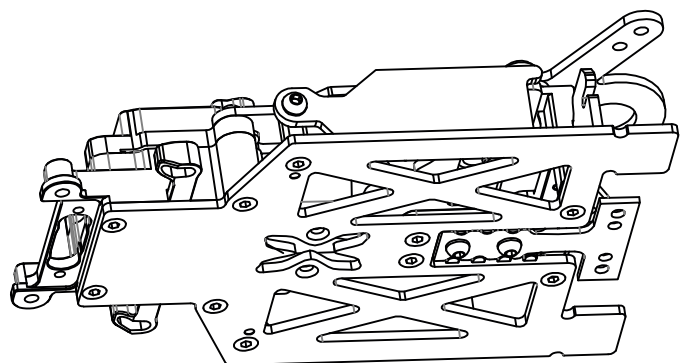
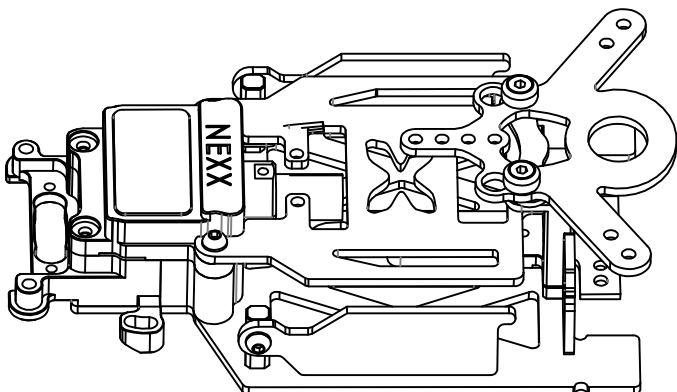
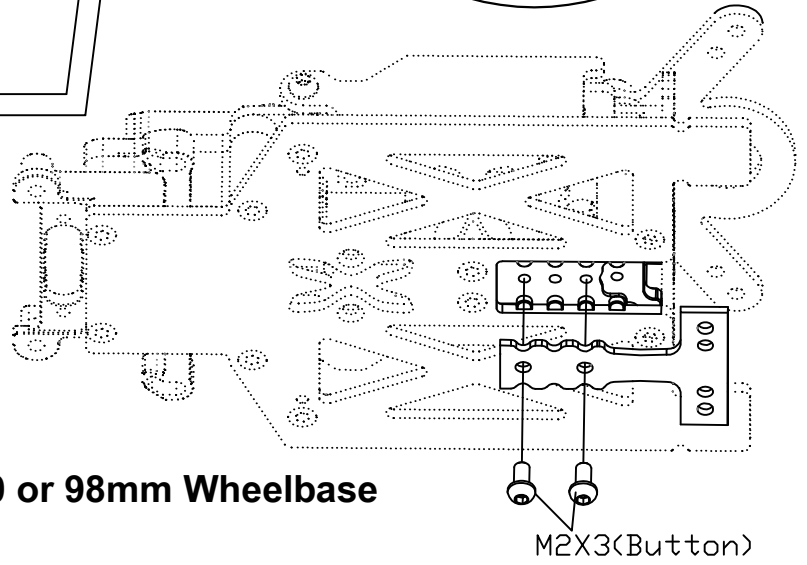
13



14

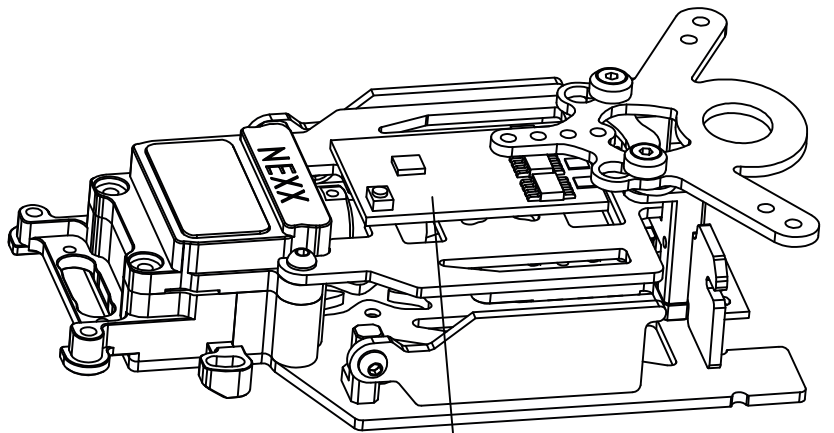
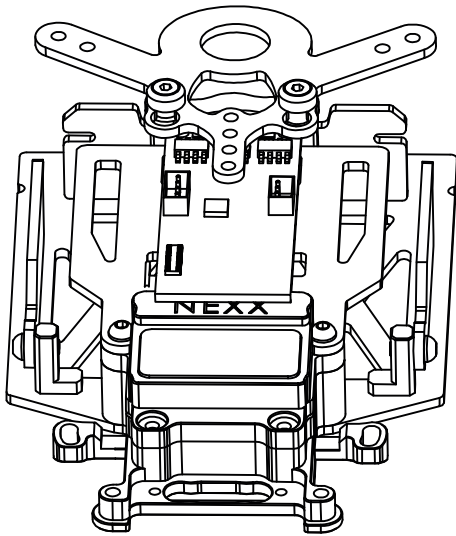
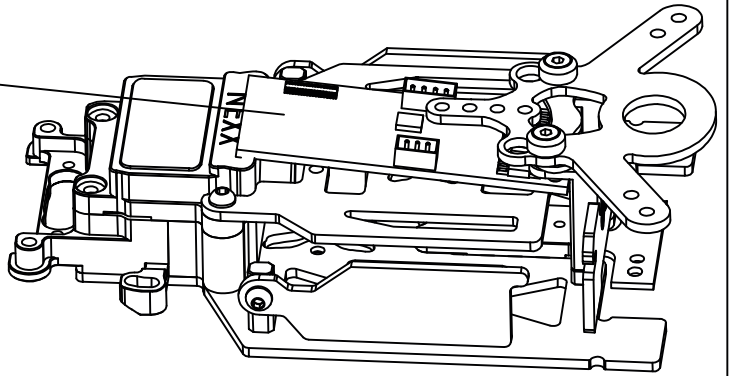
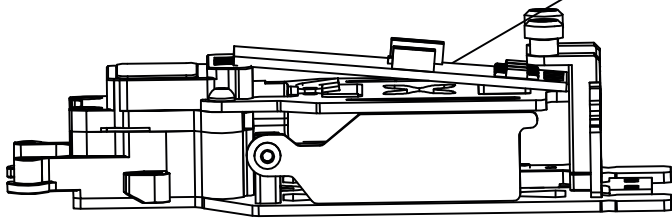


15

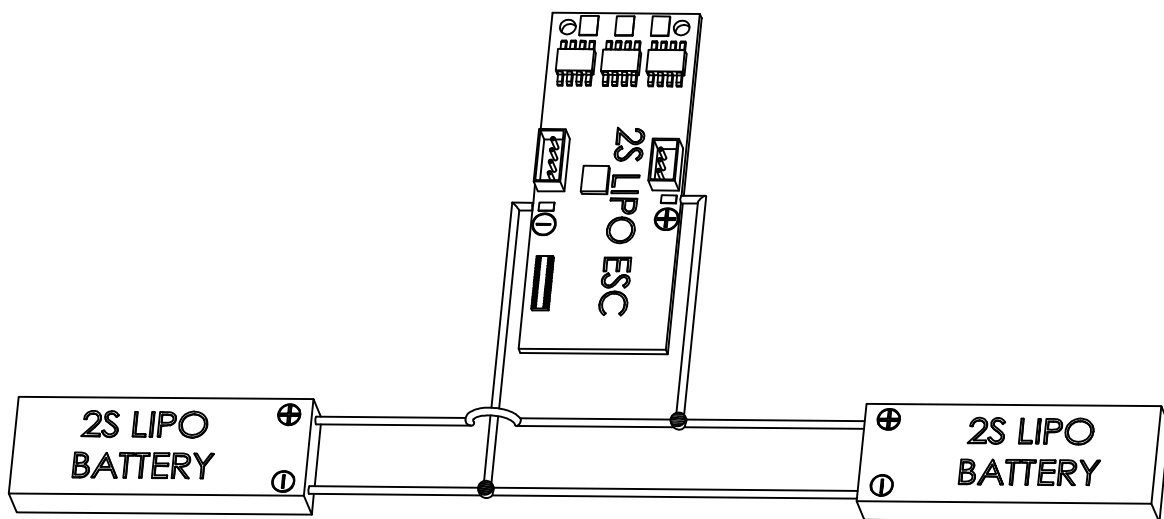


Overview

**Long ESC or Mainboard**

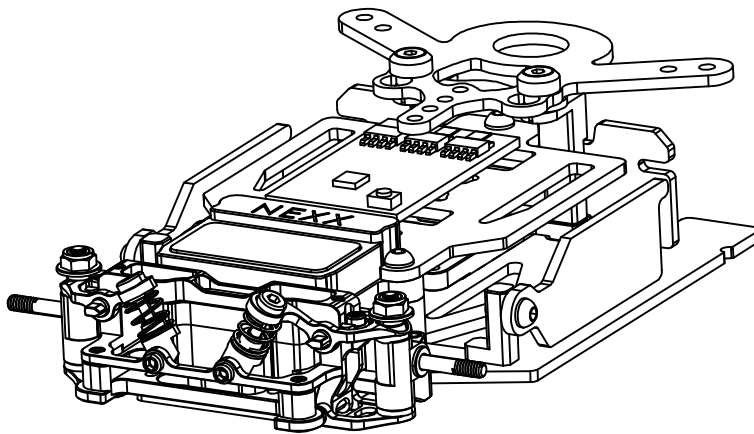
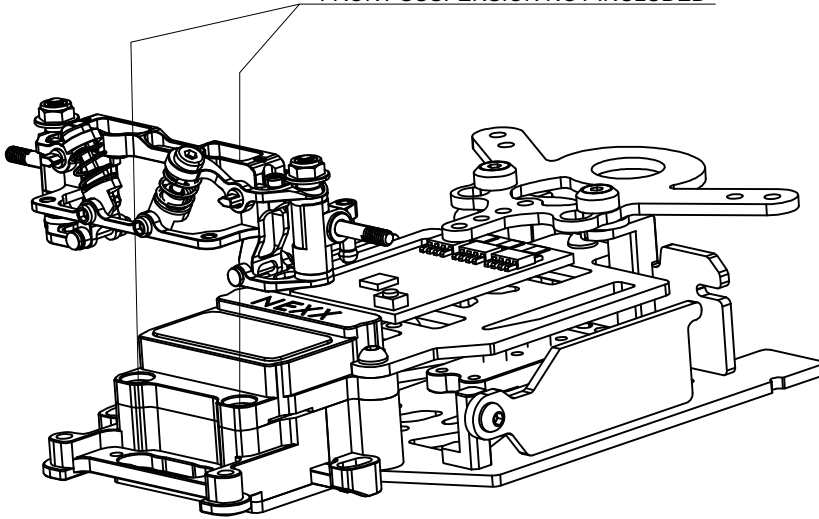


**Short ESC**



**Electronic Connection Diagram**

FRONT SUSPENSION NOT INCLUDED



# FRONT SUSPENSION INSTALL

