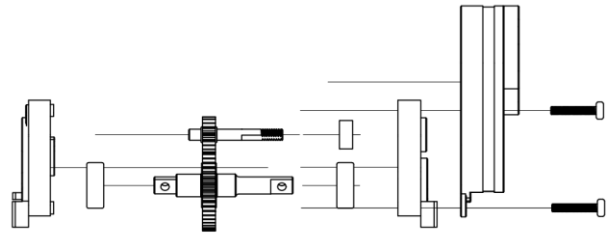
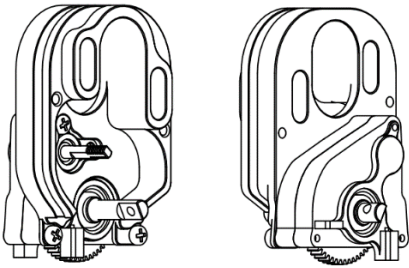
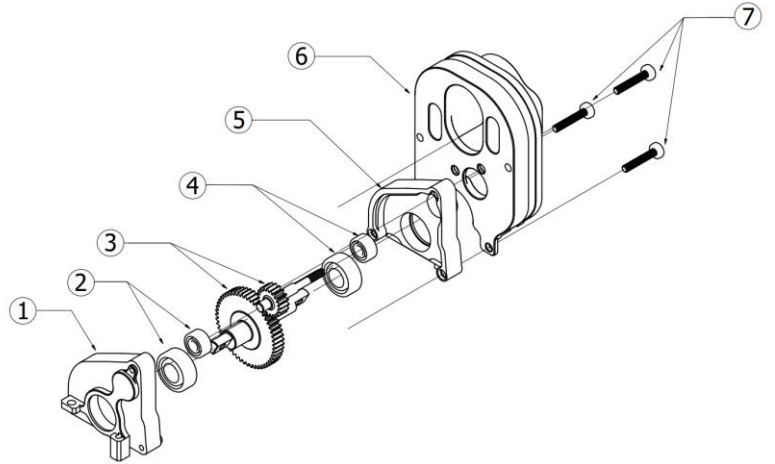


SCX24

CONVERSION OF GEARBOX SET AND MOTOR MOUNT (MOTOR 2204) (NX-281)

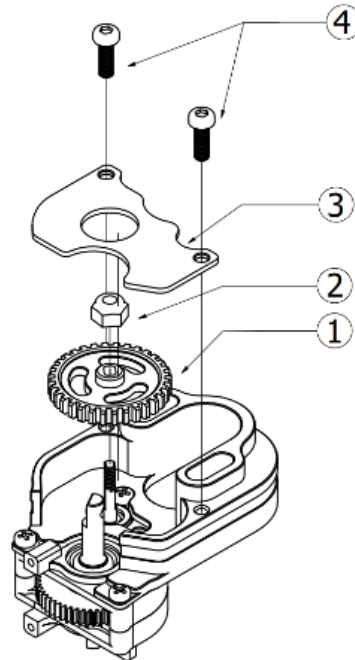
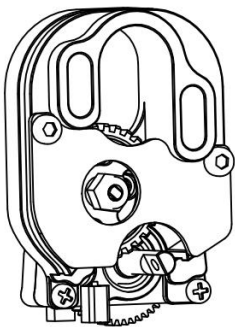
1

| NUMBER | PRODUCT CODE |
|--------|--|
| 1 | NX-234-1 |
| 2 | Bearing 4x8x3 (mm) Bearing 2x5x2.5 (mm) |
| 3 | NX-253-1 NX-253-2 |
| 4 | Bearing 4x8x3 (mm) Bearing 2x5x2.5 (mm) |
| 5 | NX-234-2 |
| 6 | NX-270-1 |
| 7 | 3xM1,4x8mm |



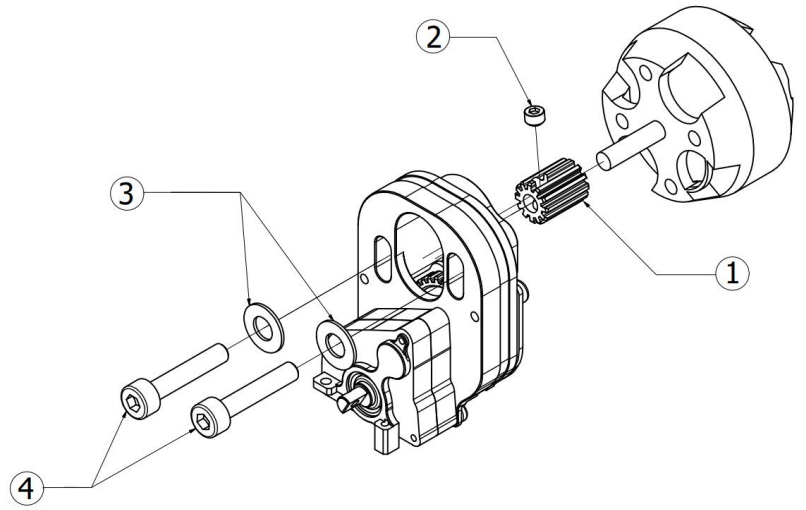
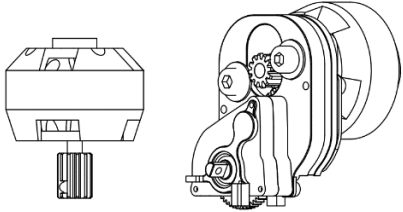
2

| NUMBER | PRODUCT CODE |
|--------|----------------------------------|
| 1 | NX-235-2 |
| 2 | Stock Screw Nylon Insert Lock M2 |
| 3 | NX-270-1 |
| 4 | Button Socket Head Bolts M2x6mm |



3

| NUMBER | PRODUCT CODE |
|--------|---------------------------------------|
| 1 | NX-235-1 |
| 2 | Set screw M3x2mm |
| 3 | Flat Washer M3 |
| 4 | Hexagon Socket Head Cap Screw M3x14mm |



4

| NUMBER | PRODUCT CODE |
|--------|--------------------------------|
| 1 | NX-234-3 |
| 2 | Phillips Pan Head Screw M1.4x6 |
| 3 | Phillips Pan Head Screw M1.4x6 |

