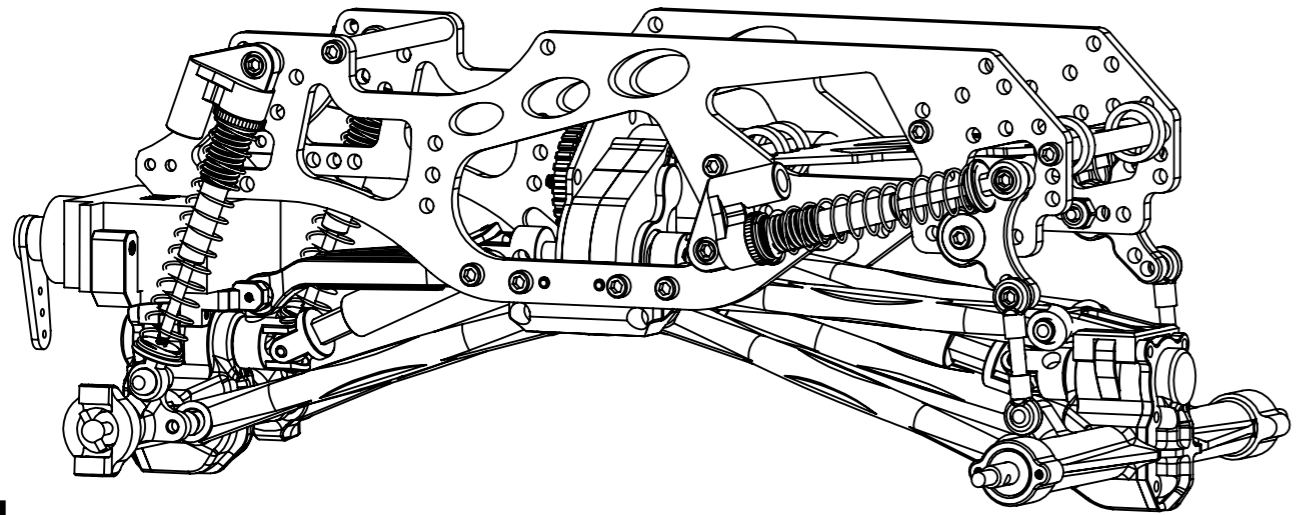
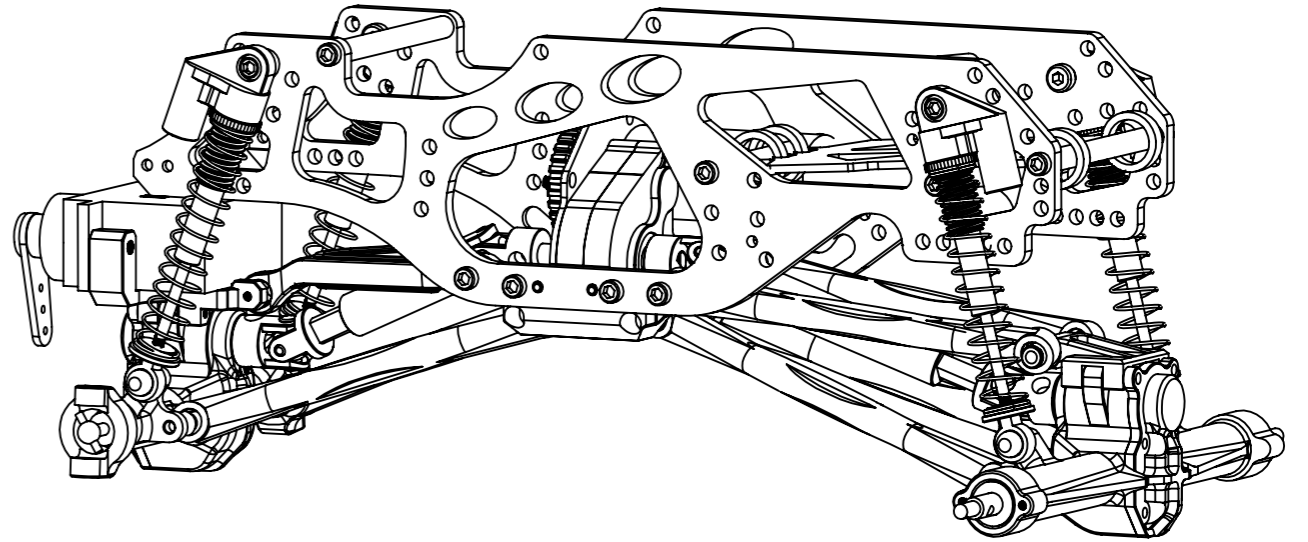


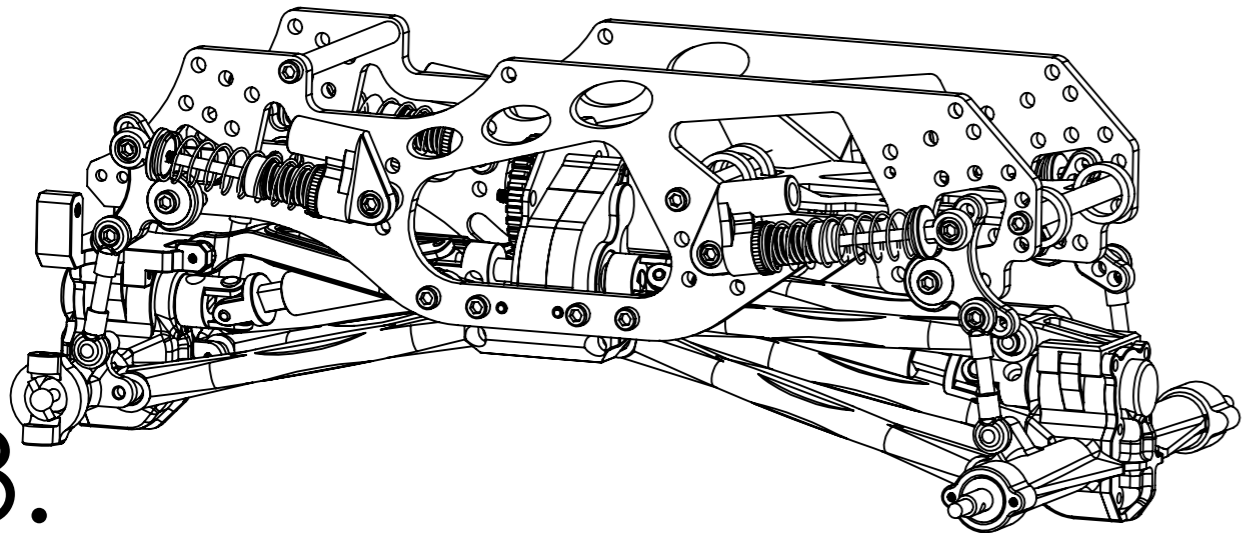
# NX292 SCX24 MADBULL CHASSIS



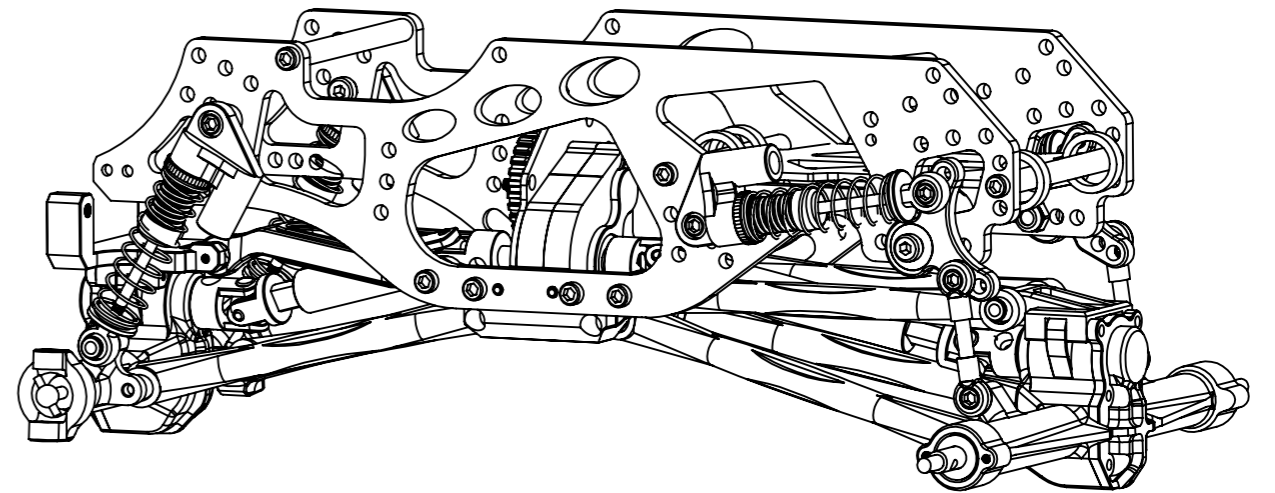
1.



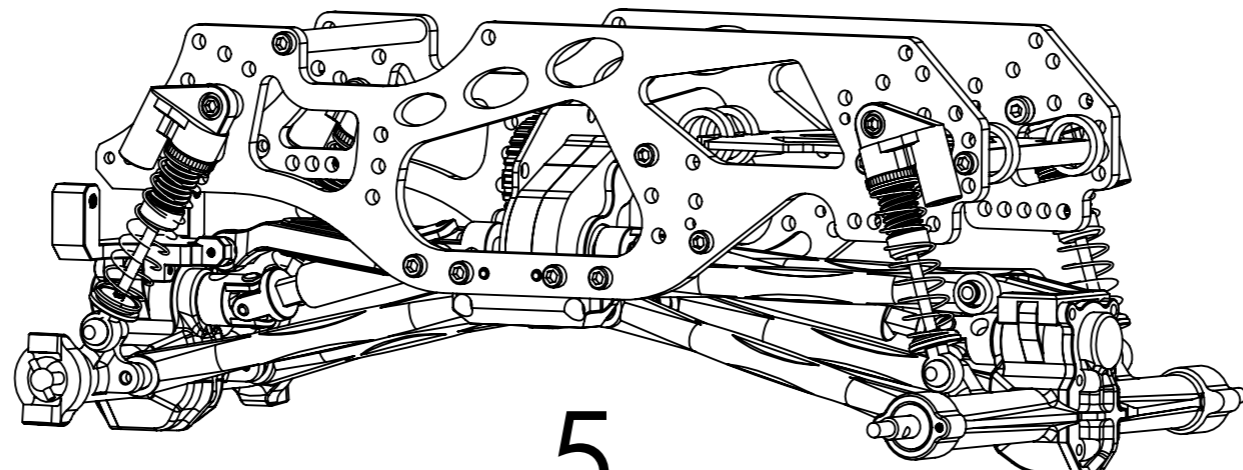
2.



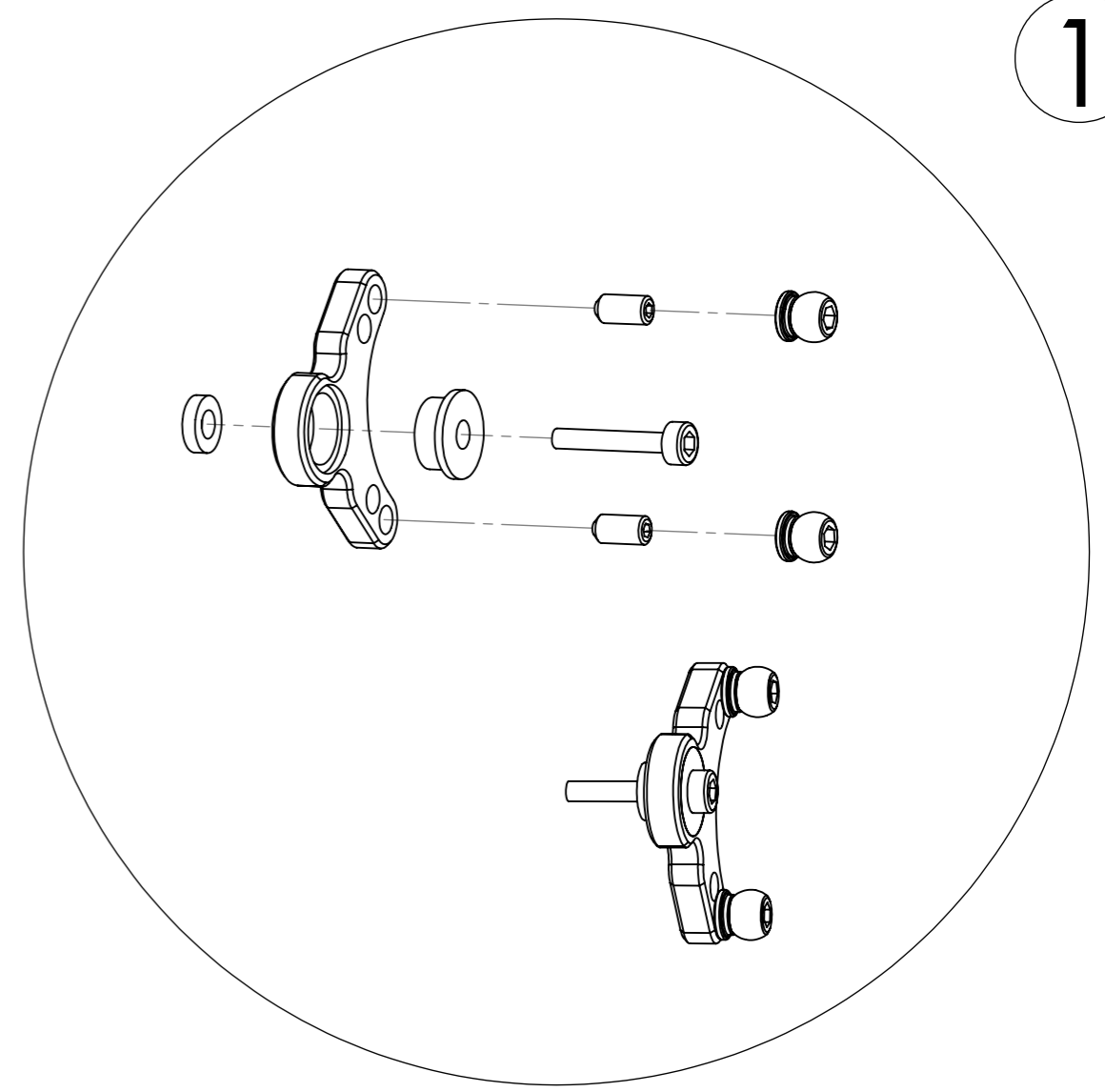
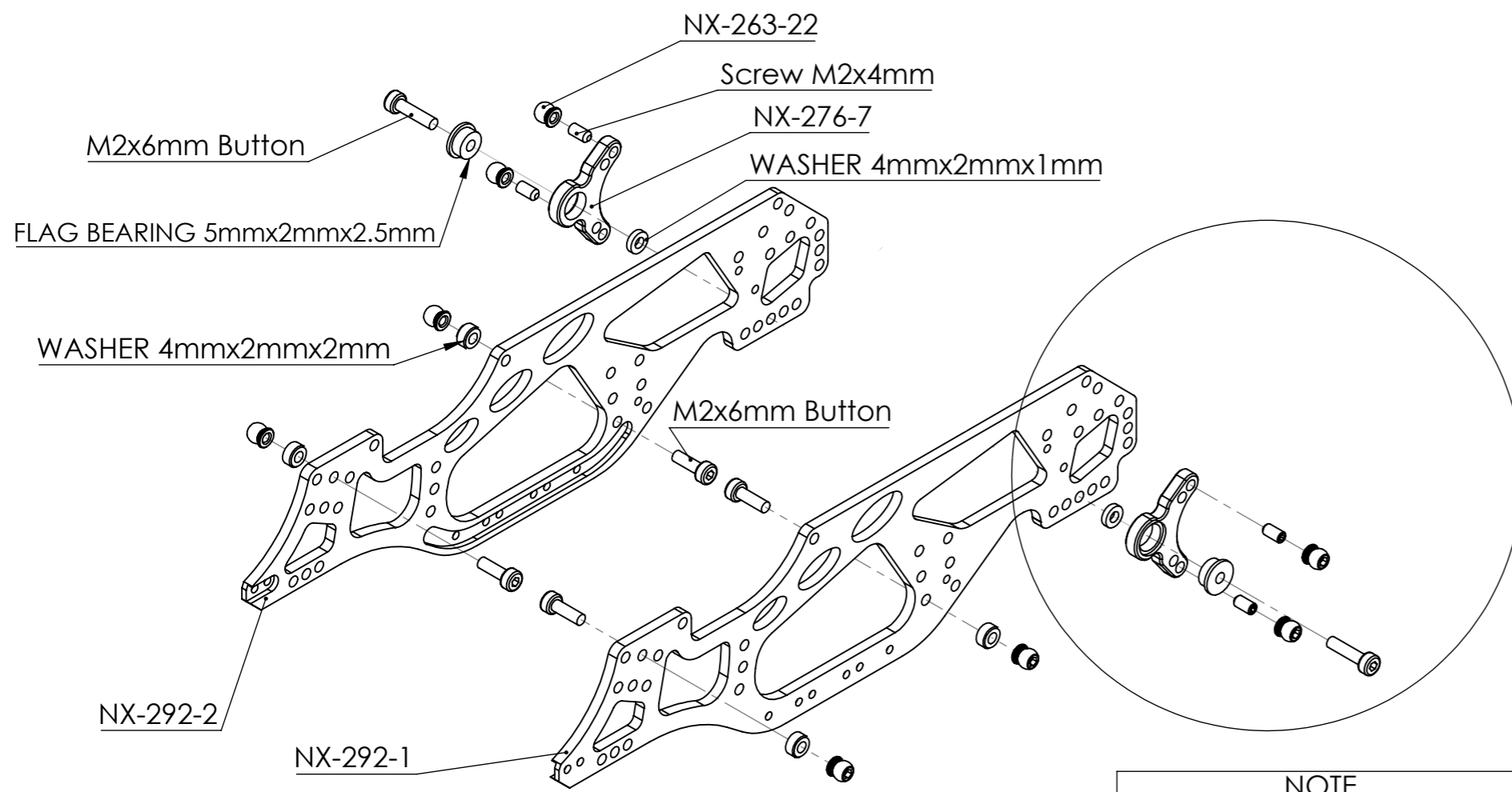
3.



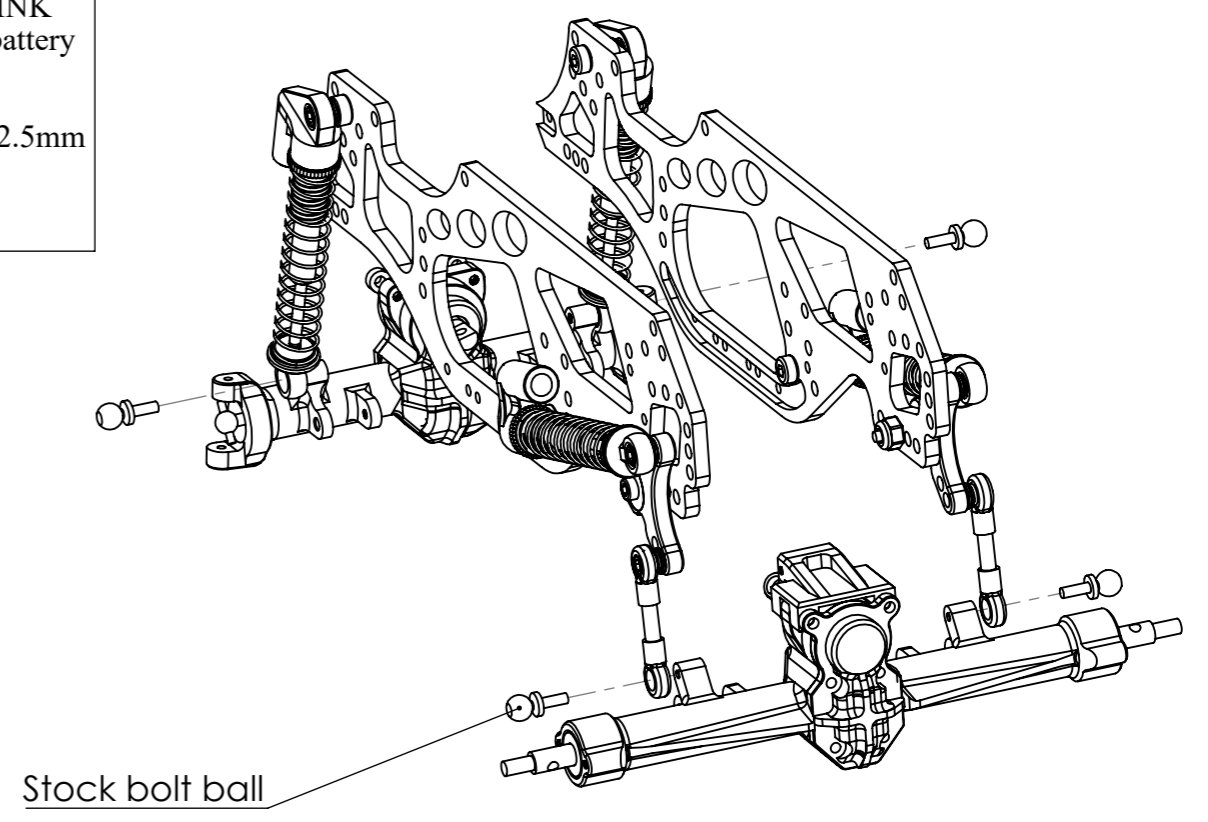
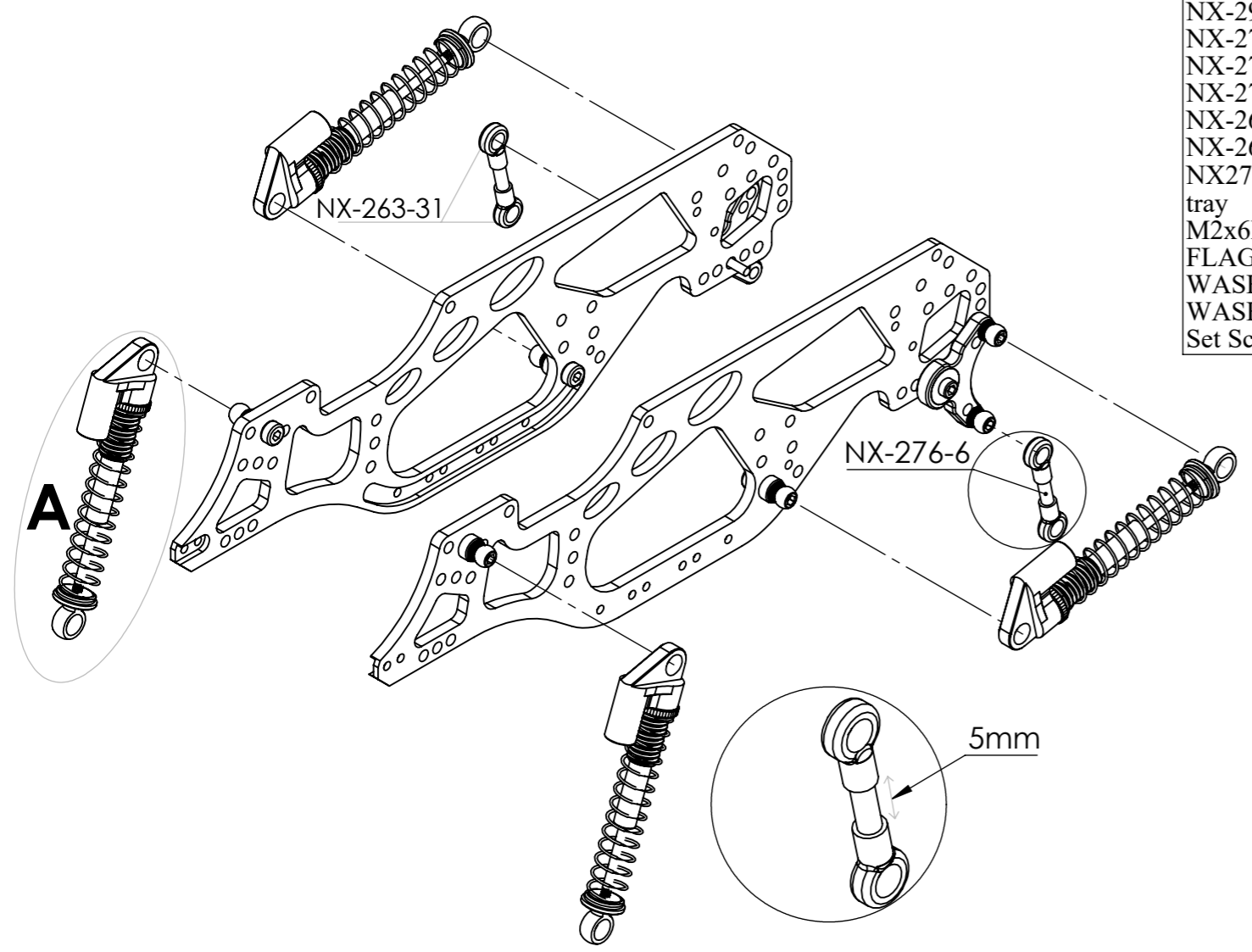
4.



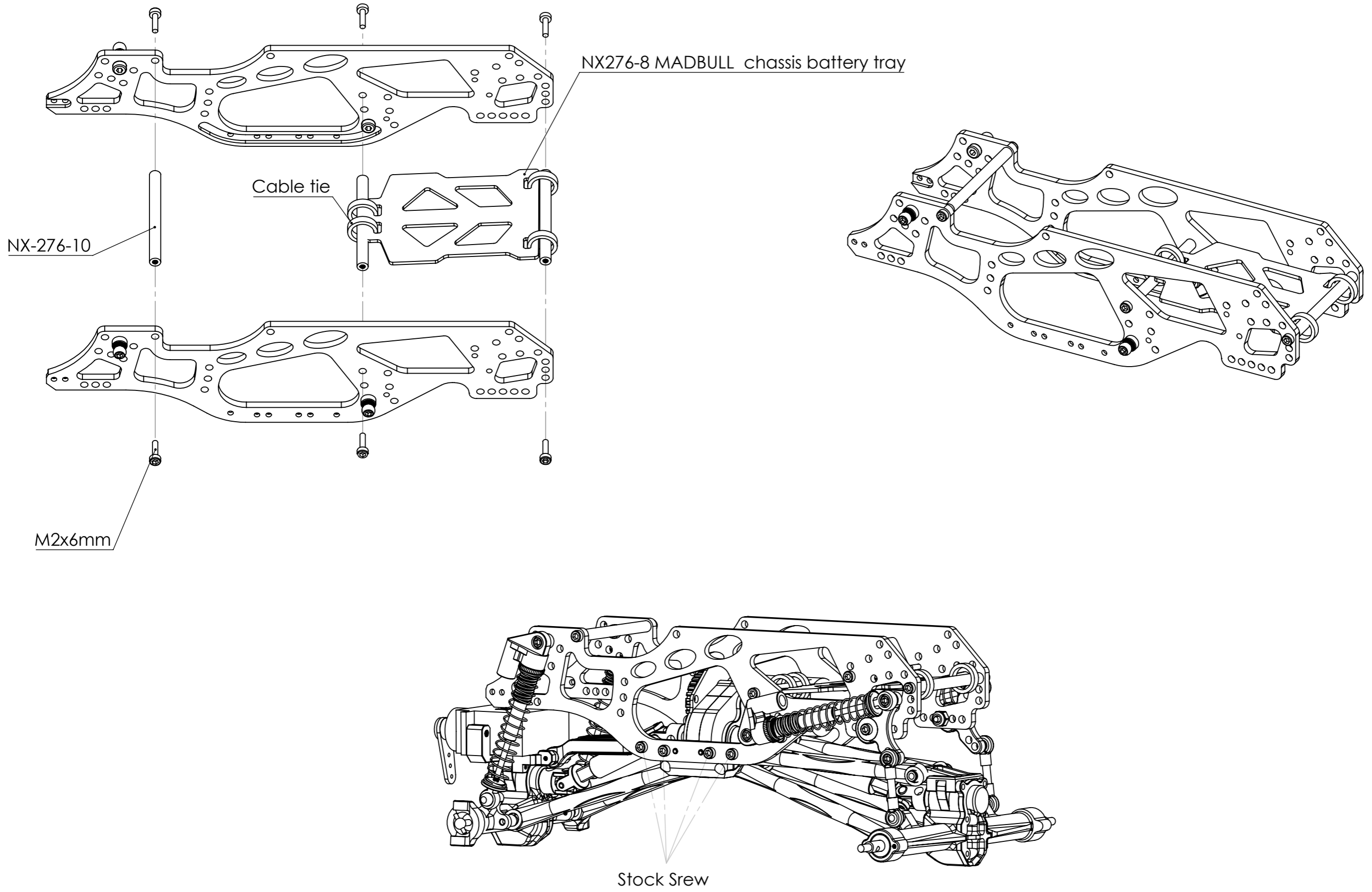
5.



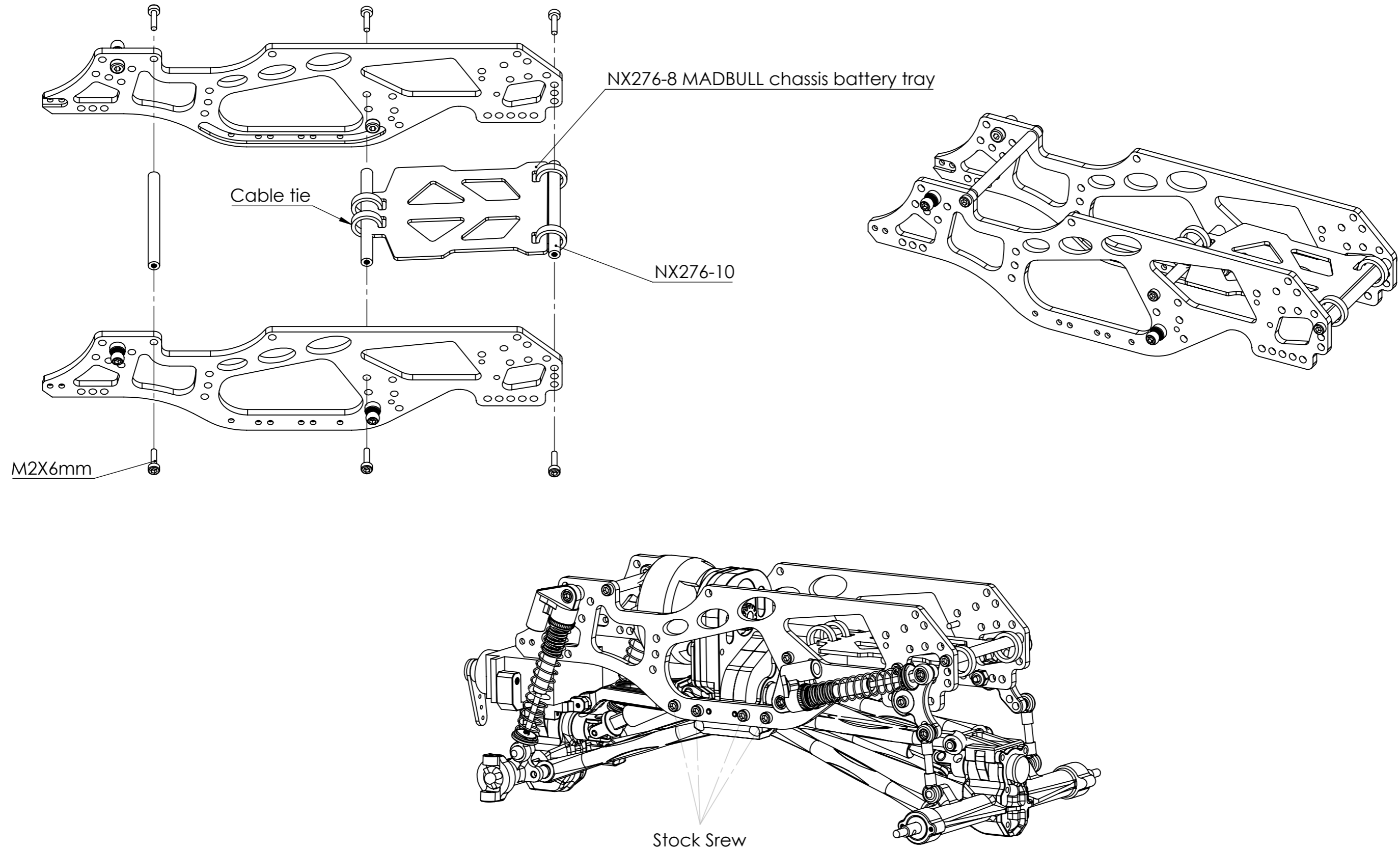
**NOTE**  
 NX-292-1 Chassis L  
 NX-292-2 Chassis R  
 NX-276-6 Threaded Adapter  
 NX-276-7 V Adapter  
 NX-276-10 SPACER  
 NX-263-22 HEX BALL  
 NX-263-31 PLASTIC BALL LINK  
 NX276-8 MADBULL chassis battery tray  
 M2x6MM Button  
 FLAG BEARING 5mmx2mmx2.5mm  
 WASHER 4mmx2mmx1mm  
 WASHER 4mmx2mmx2mm  
 Set Screw M2x4mm



# With Stock Motor



# With NX-281-GR NexxRacing Conversion of Gearbox Set and 2204 Motor



NX-263-22

WASHER 4MMX2MMX2MMM

M2x6mm Button

**NOTE**

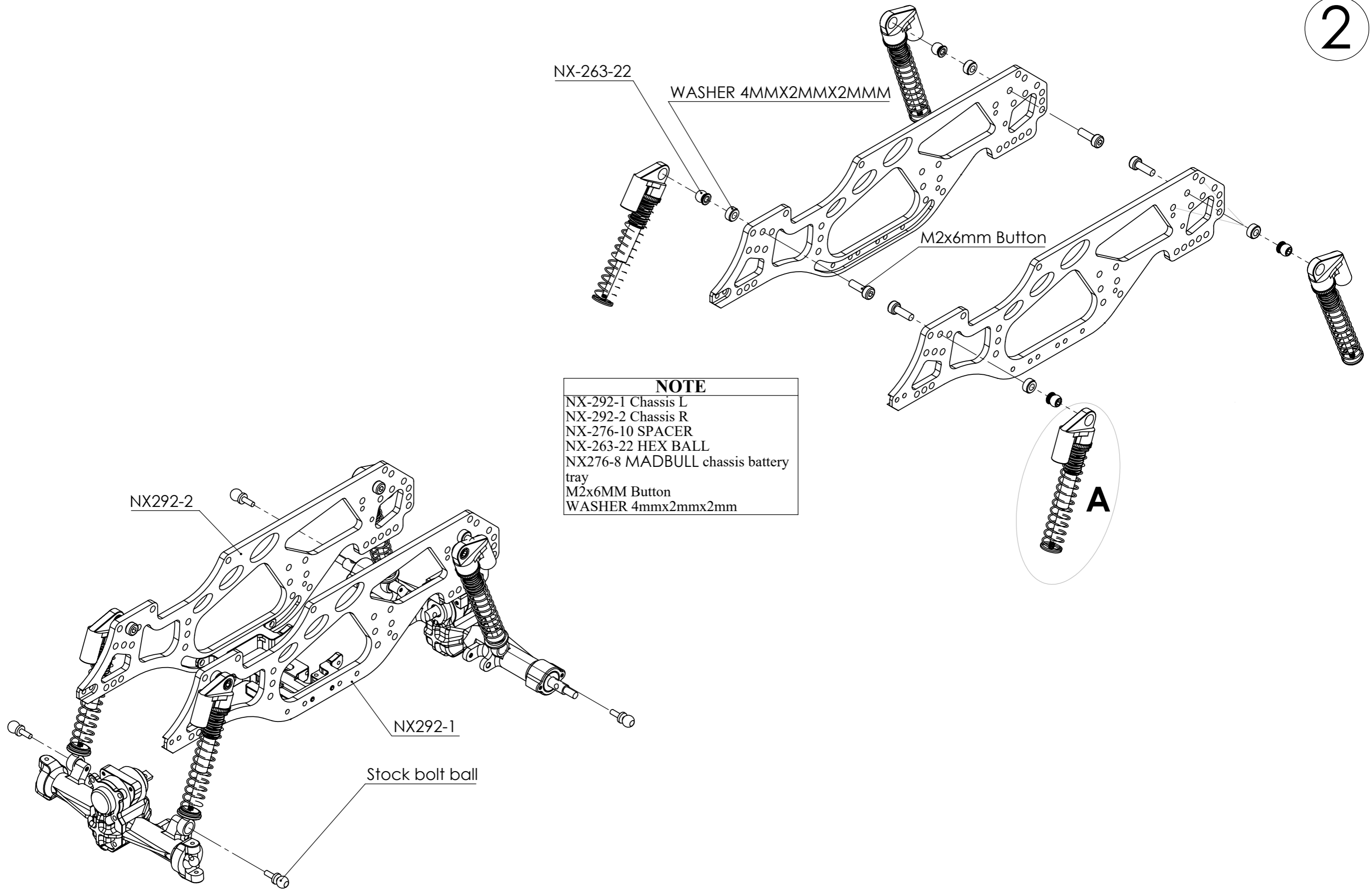
NX-292-1 Chassis L  
NX-292-2 Chassis R  
NX-276-10 SPACER  
NX-263-22 HEX BALL  
NX276-8 MADBULL chassis battery tray  
M2x6MM Button  
WASHER 4mmx2mmx2mm

NX292-2

NX292-1

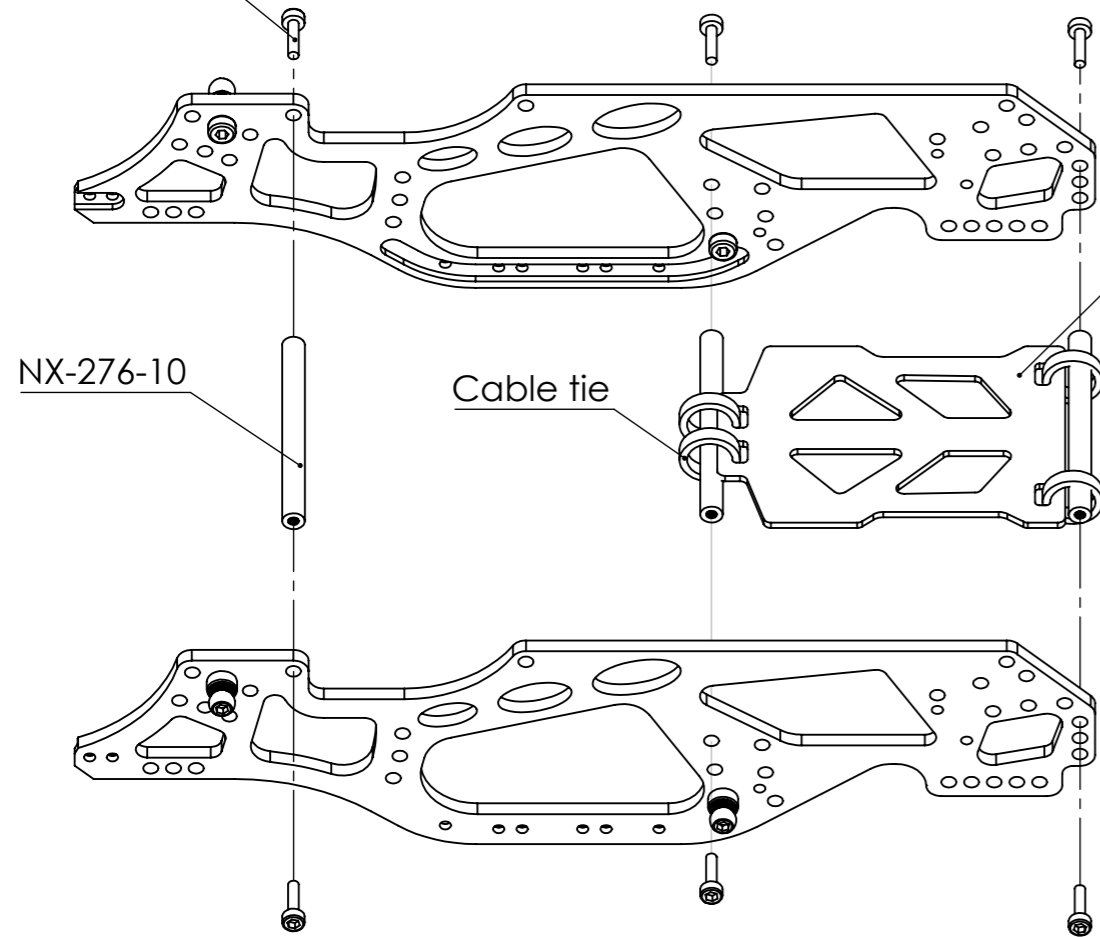
Stock bolt ball

**A**

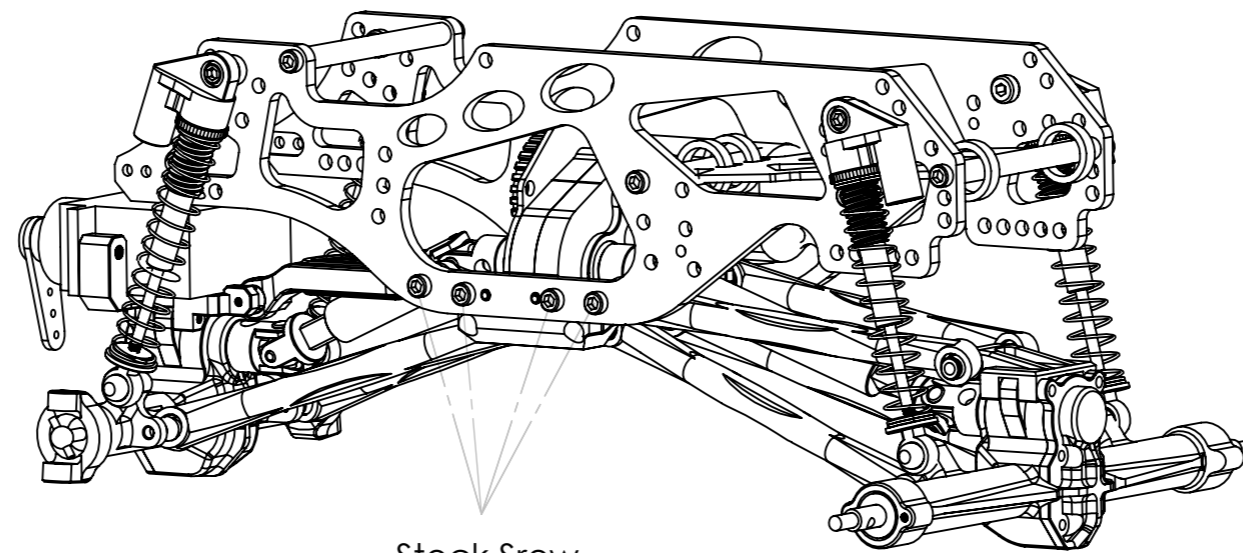
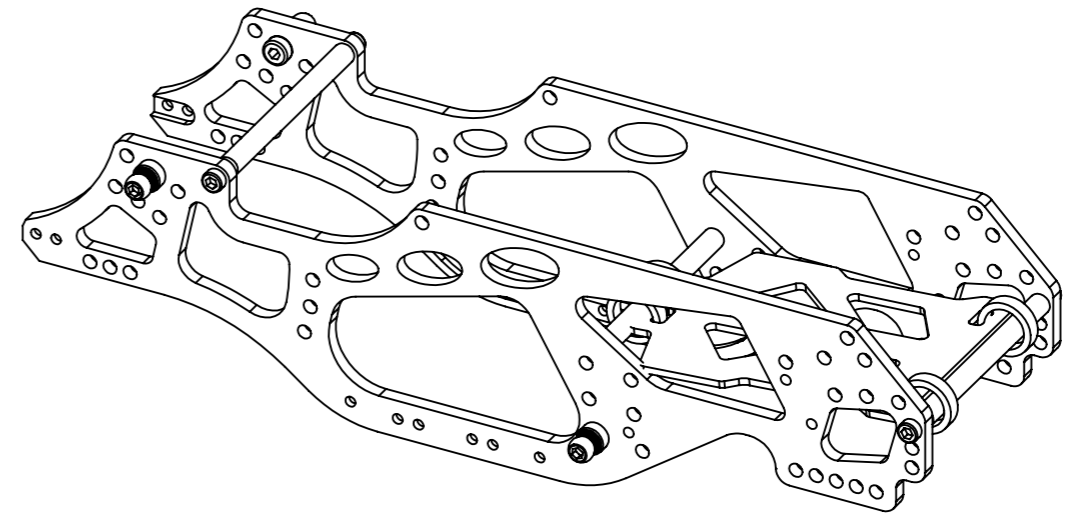


# With Stock motor

M2x6mm

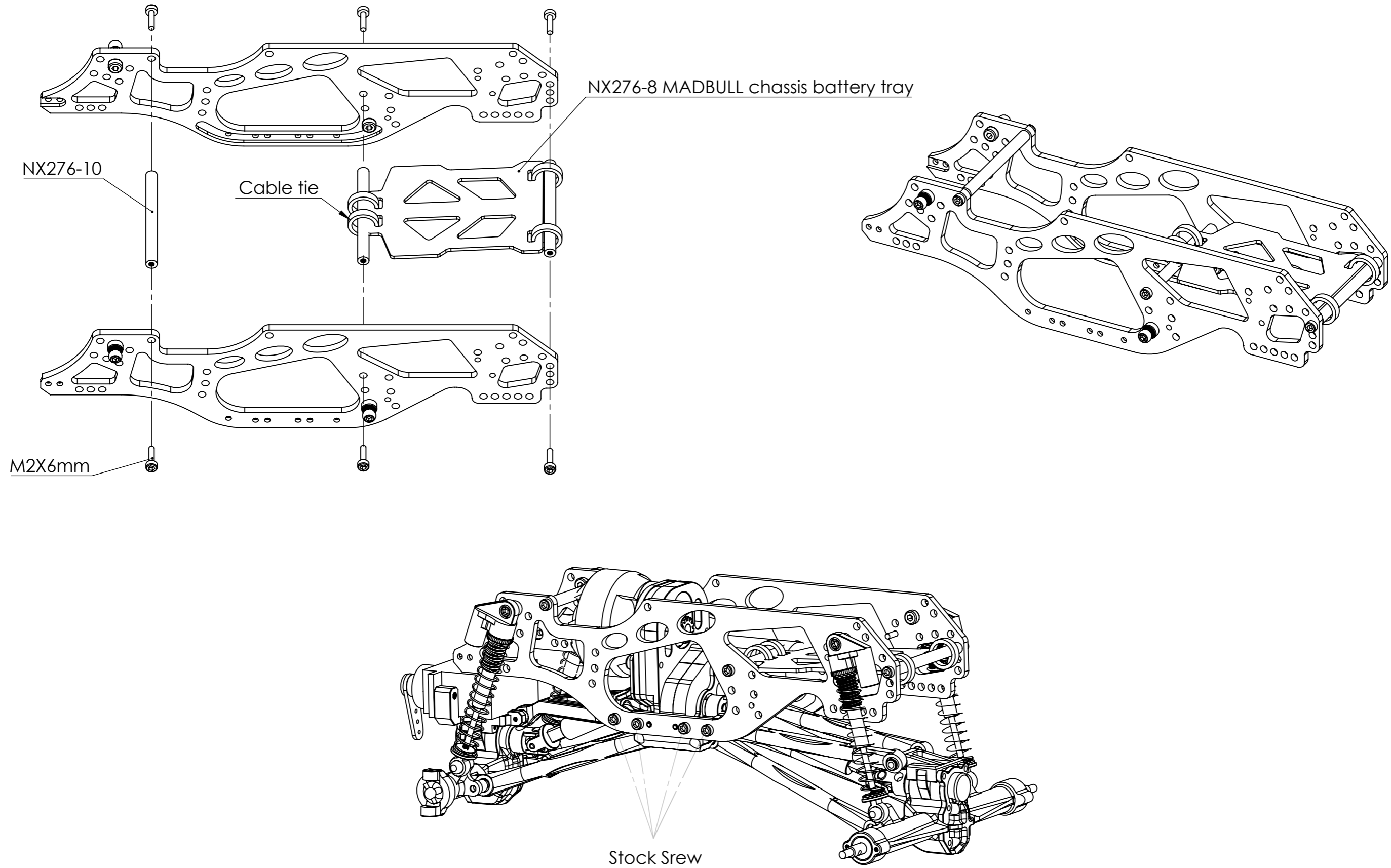


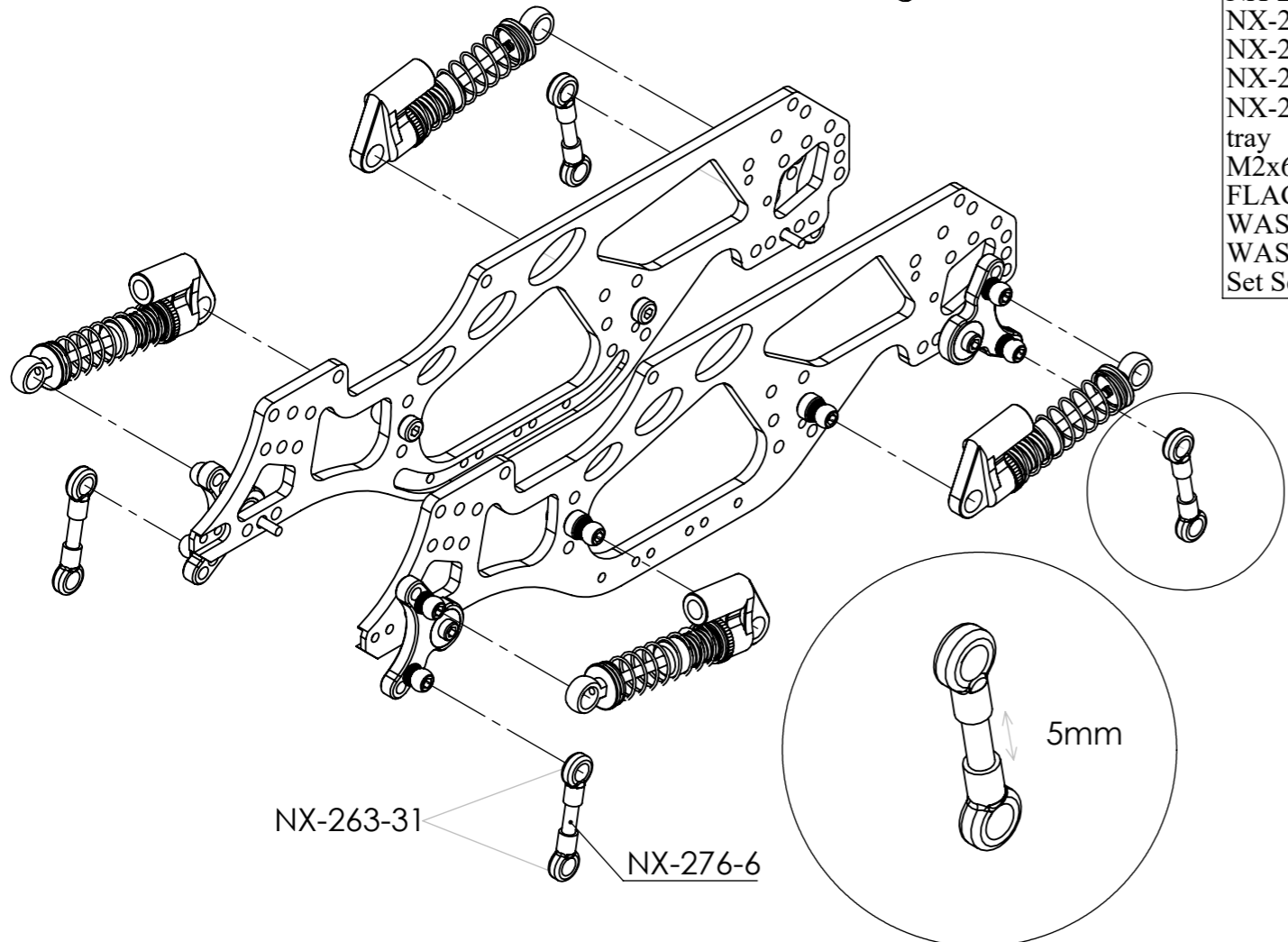
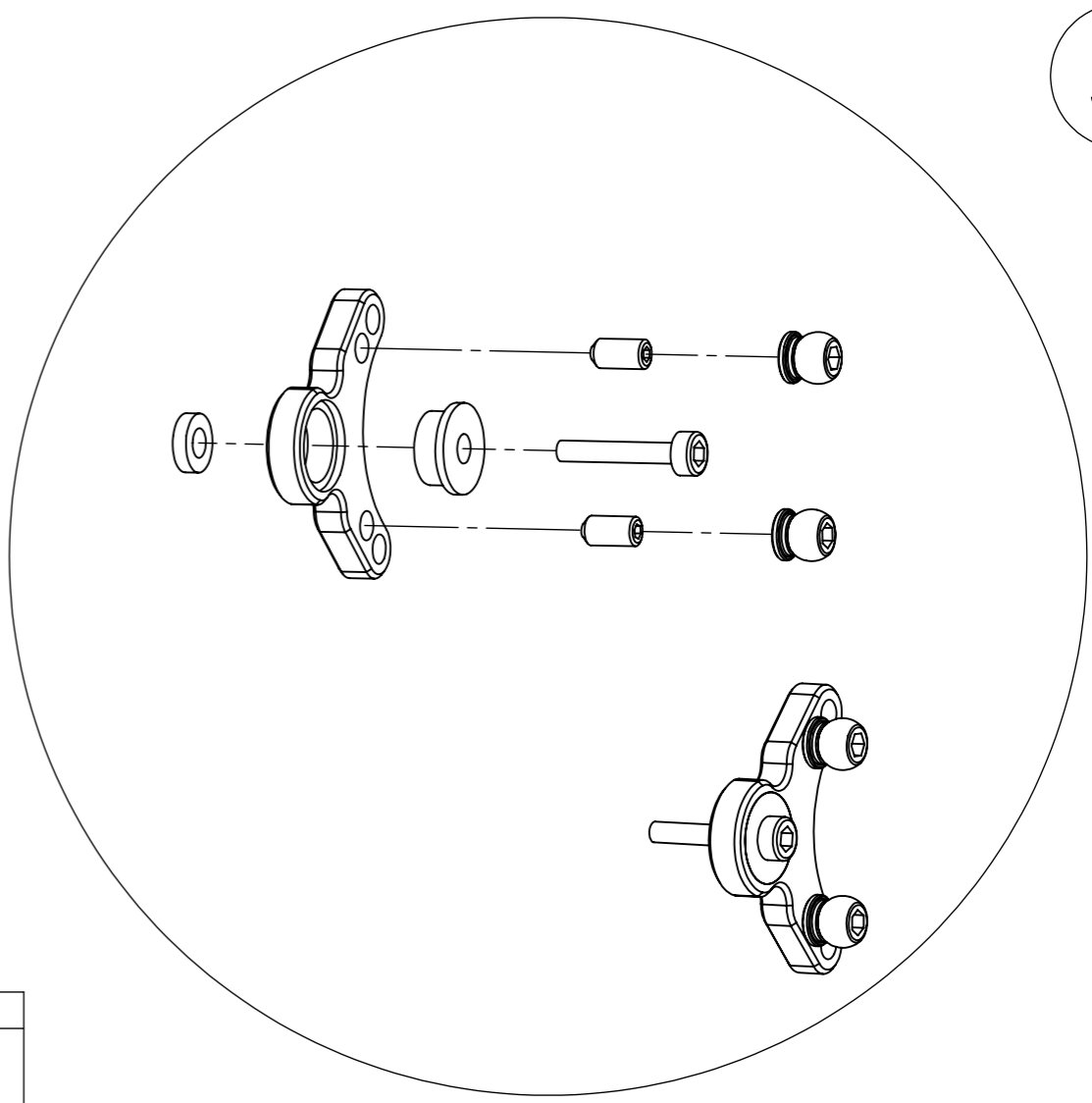
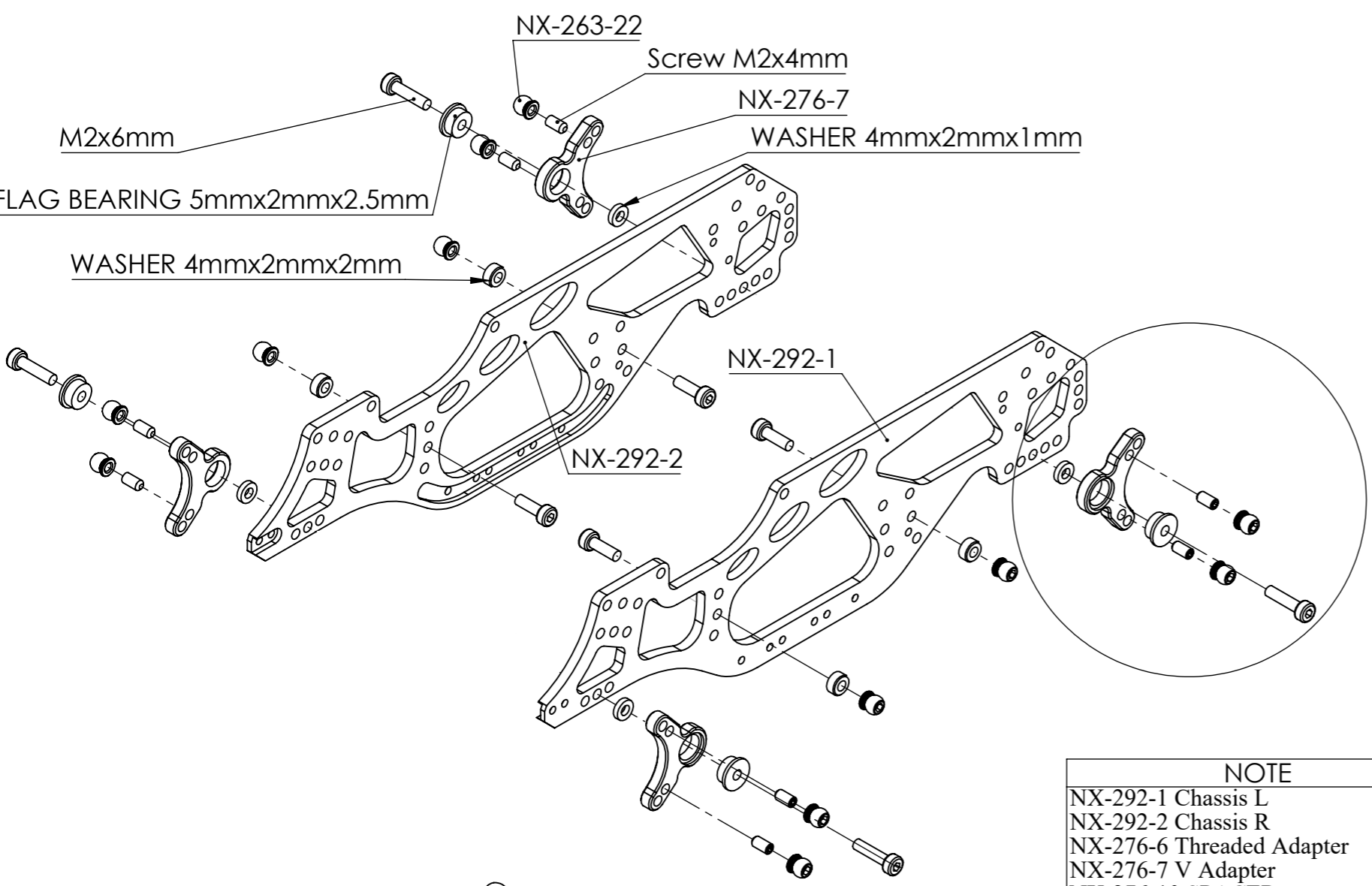
NX276-8 MADBULL chassis battery tray



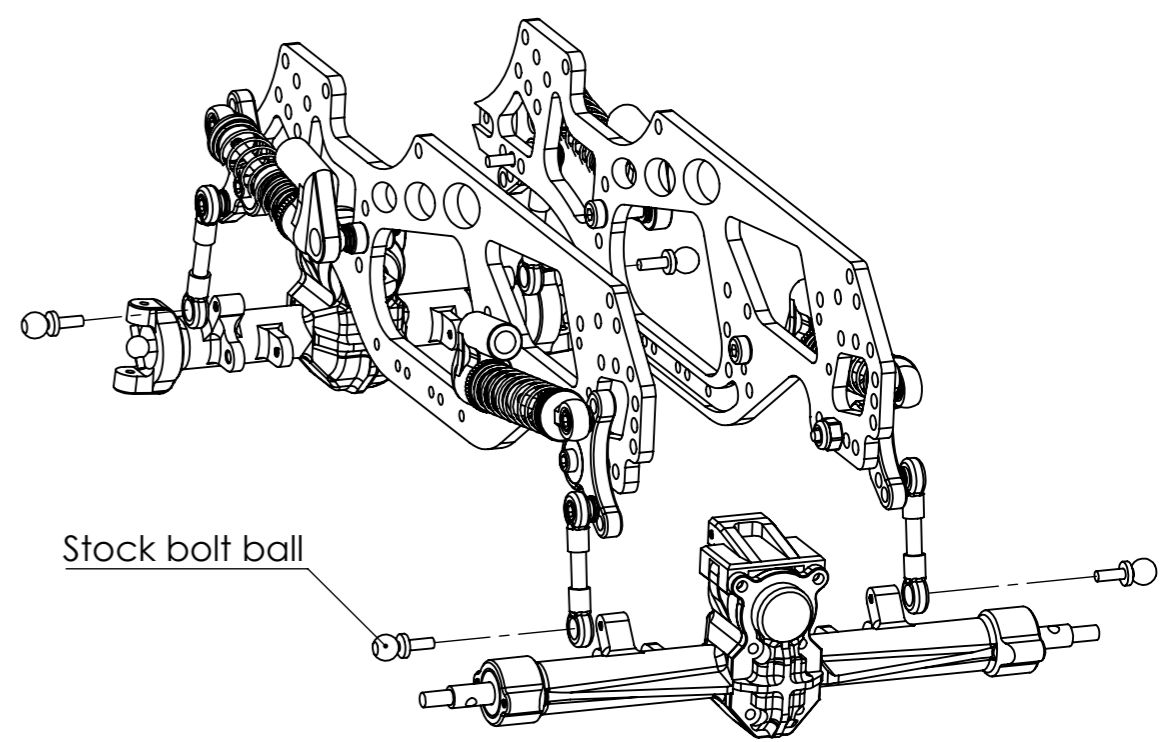
Stock Srew

# With NX-281-GR NexxRacing Conversion of Gearbox Set and 2204 Motor



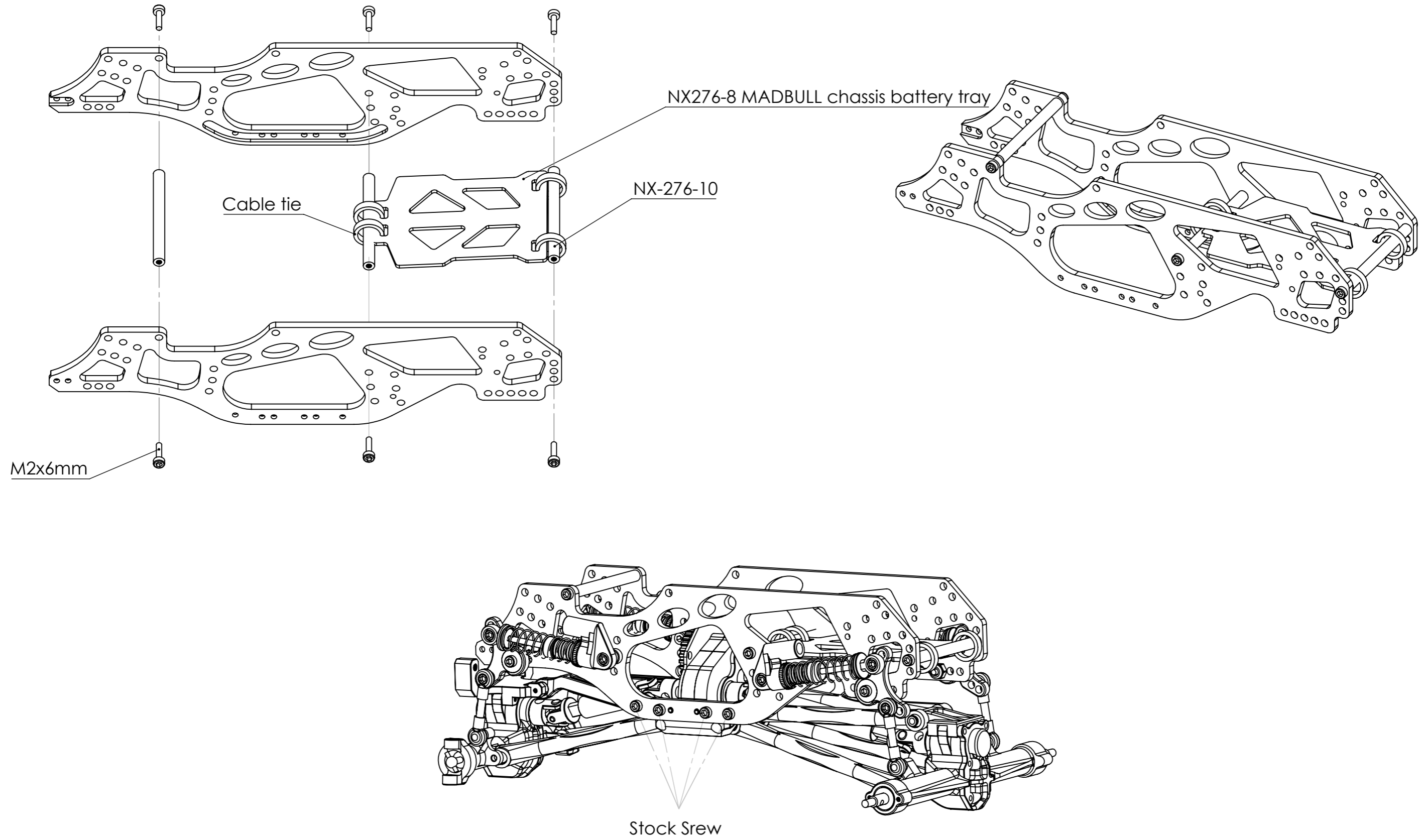


**NOTE**  
 NX-292-1 Chassis L  
 NX-292-2 Chassis R  
 NX-276-6 Threaded Adapter  
 NX-276-7 V Adapter  
 NX-276-10 SPACER  
 NX-263-22 HEX BALL  
 NX-263-31 PLASTIC BALL LINK  
 NX-276-8 MADBULL chassis battery tray  
 M2x6MM Button  
 FLAG BEARING 5mmx2mmx2.5mm  
 WASHER 4mmx2mmx1mm  
 WASHER 4mmx2mmx2mm  
 Set Screw M2x4mm

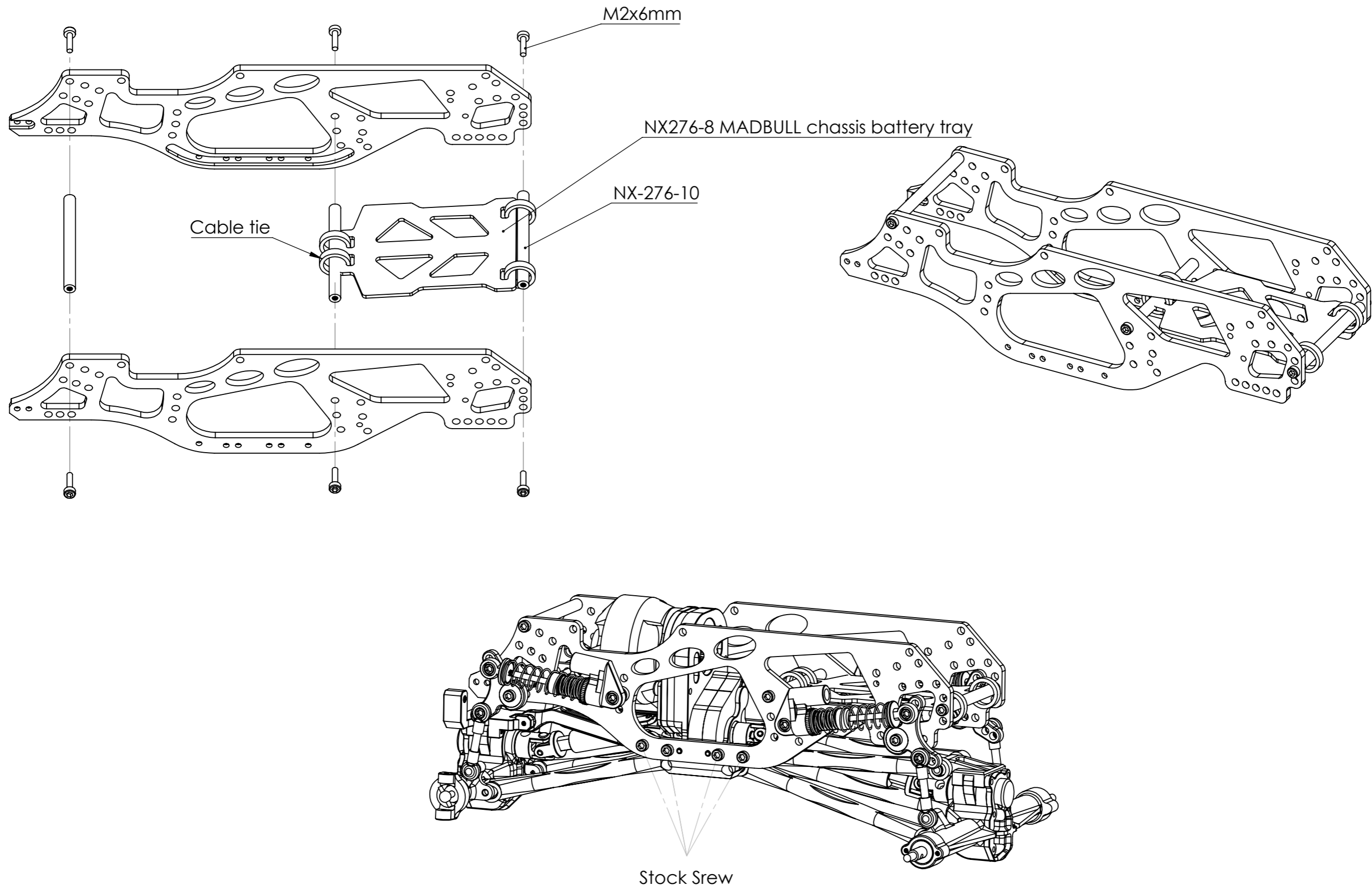


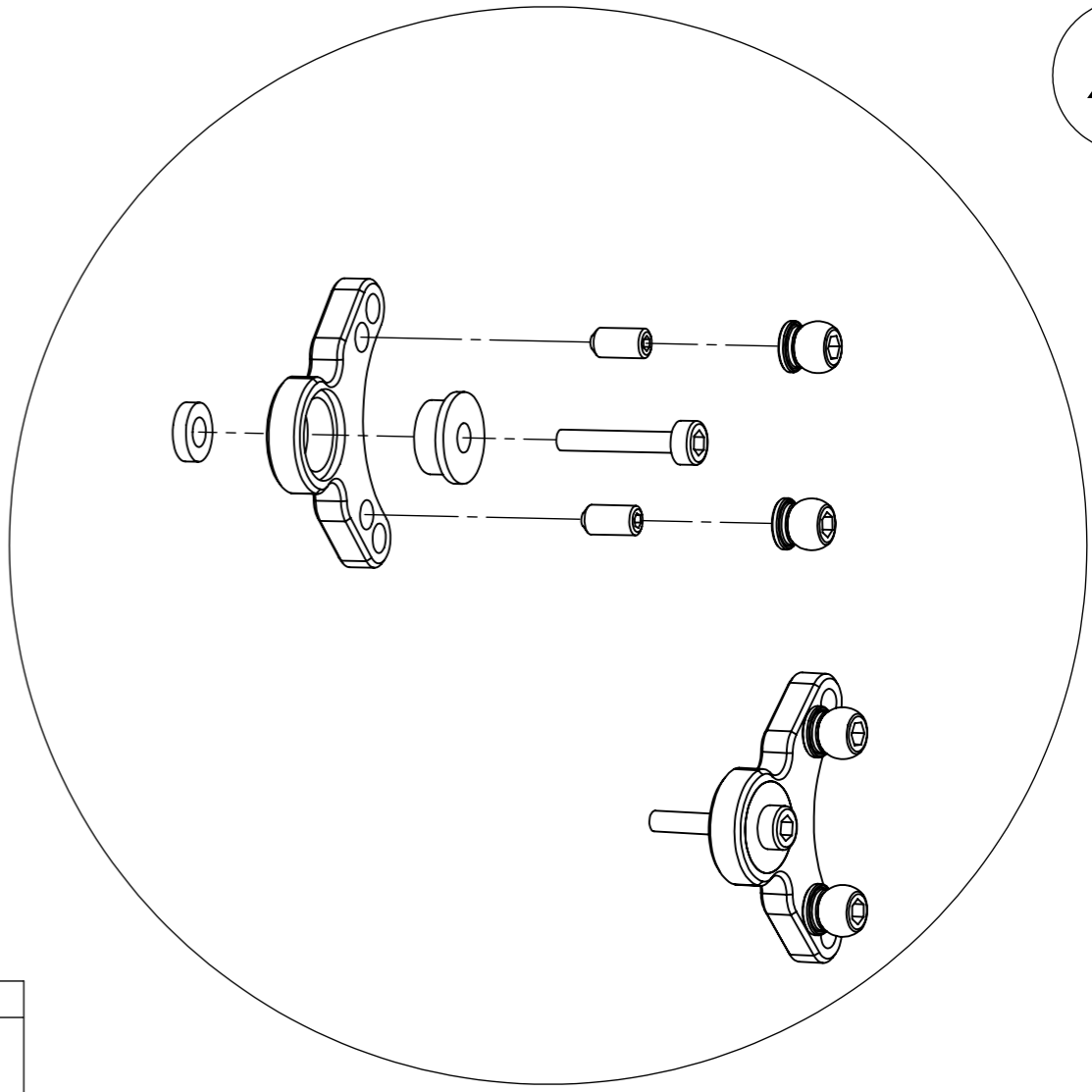
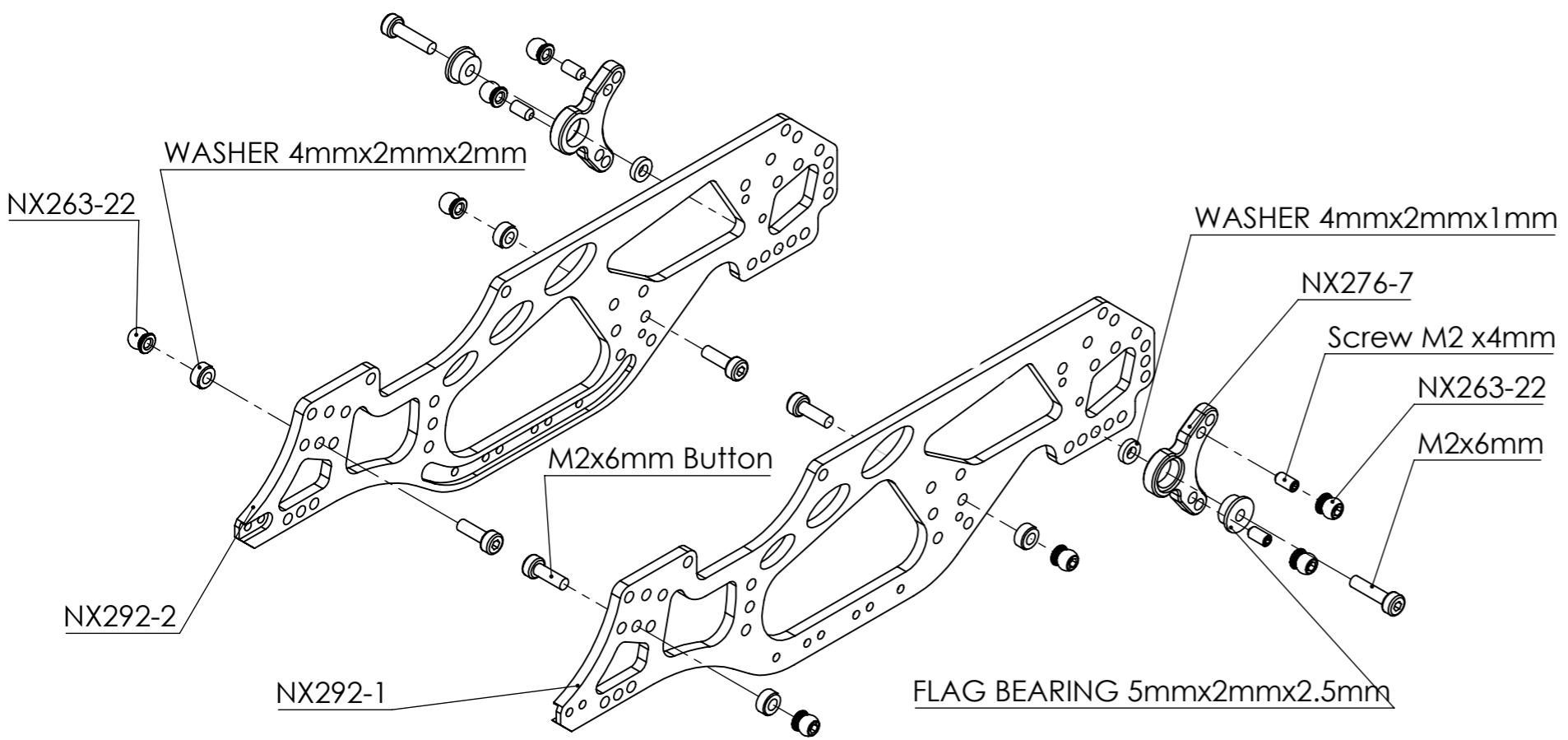


# With Stock Motor



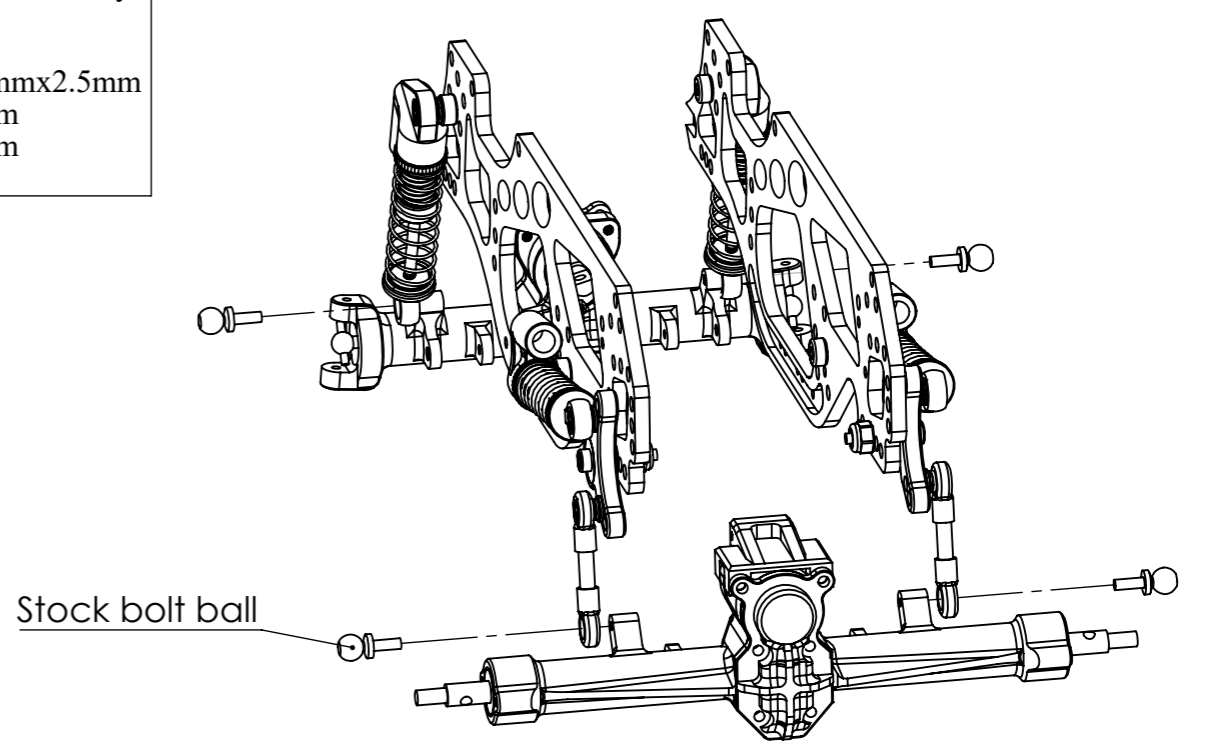
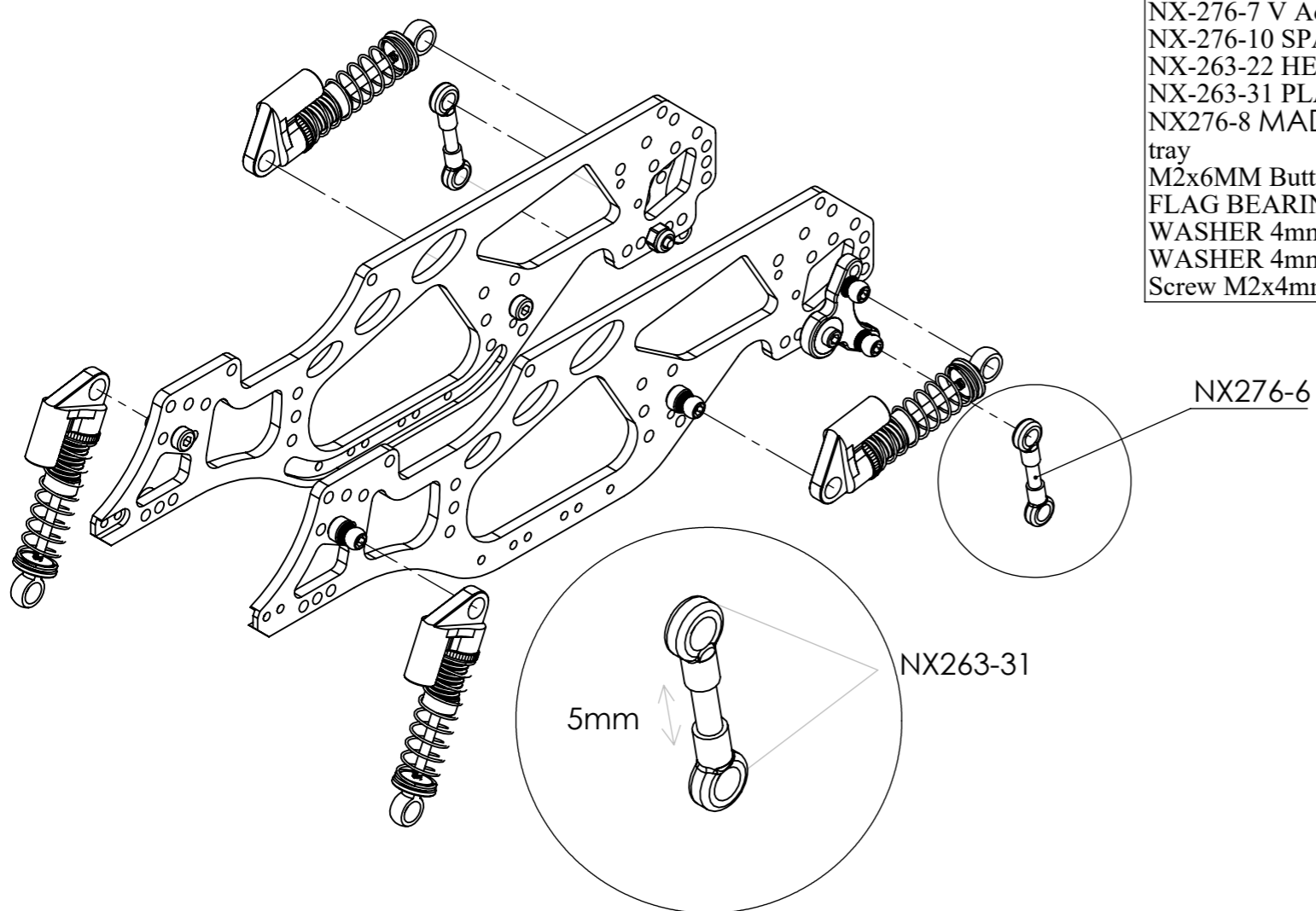
# With NX-281-GR NexxRacing Conversion of Gearbox Set and 2204 Motor



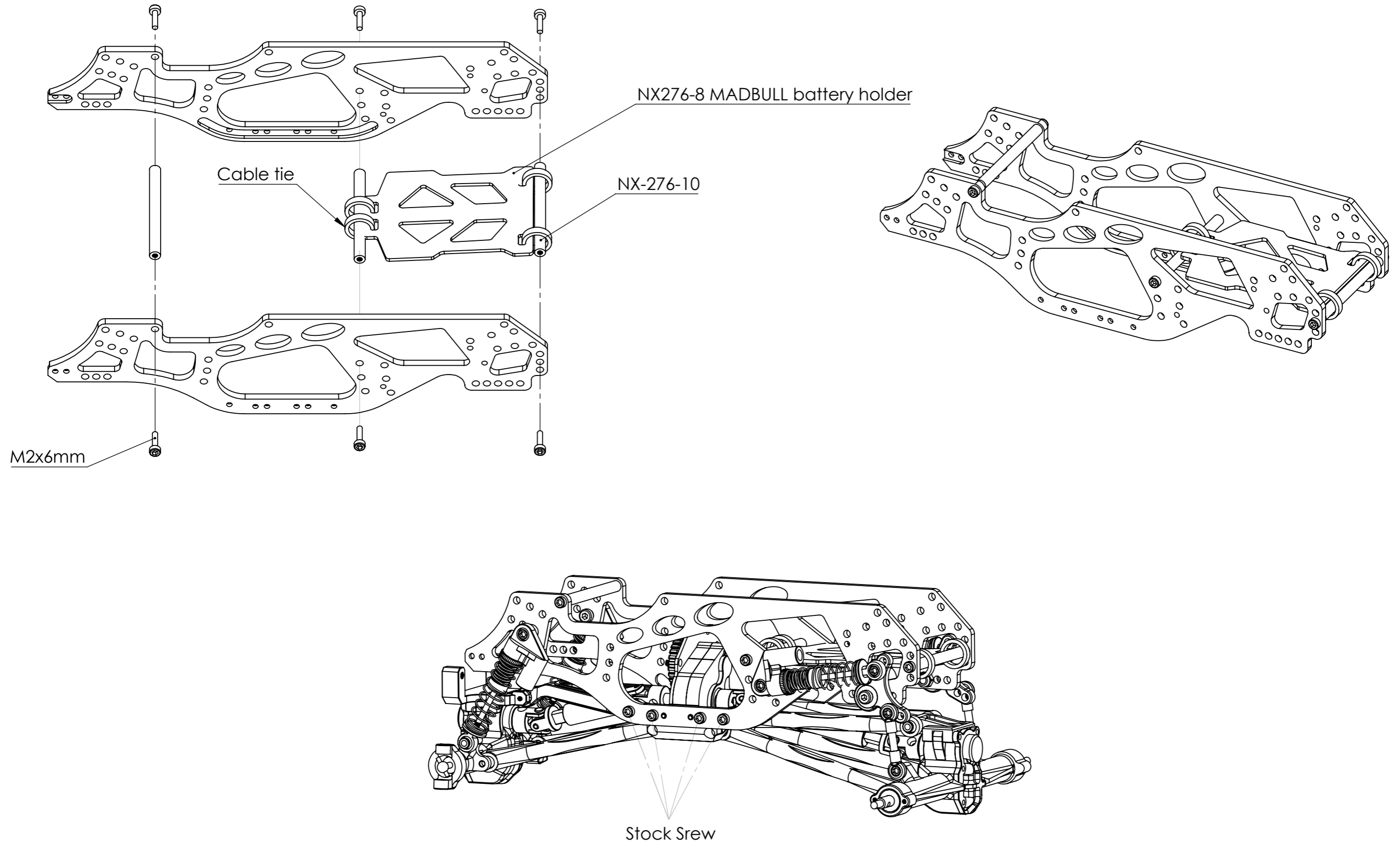


**NOTE**

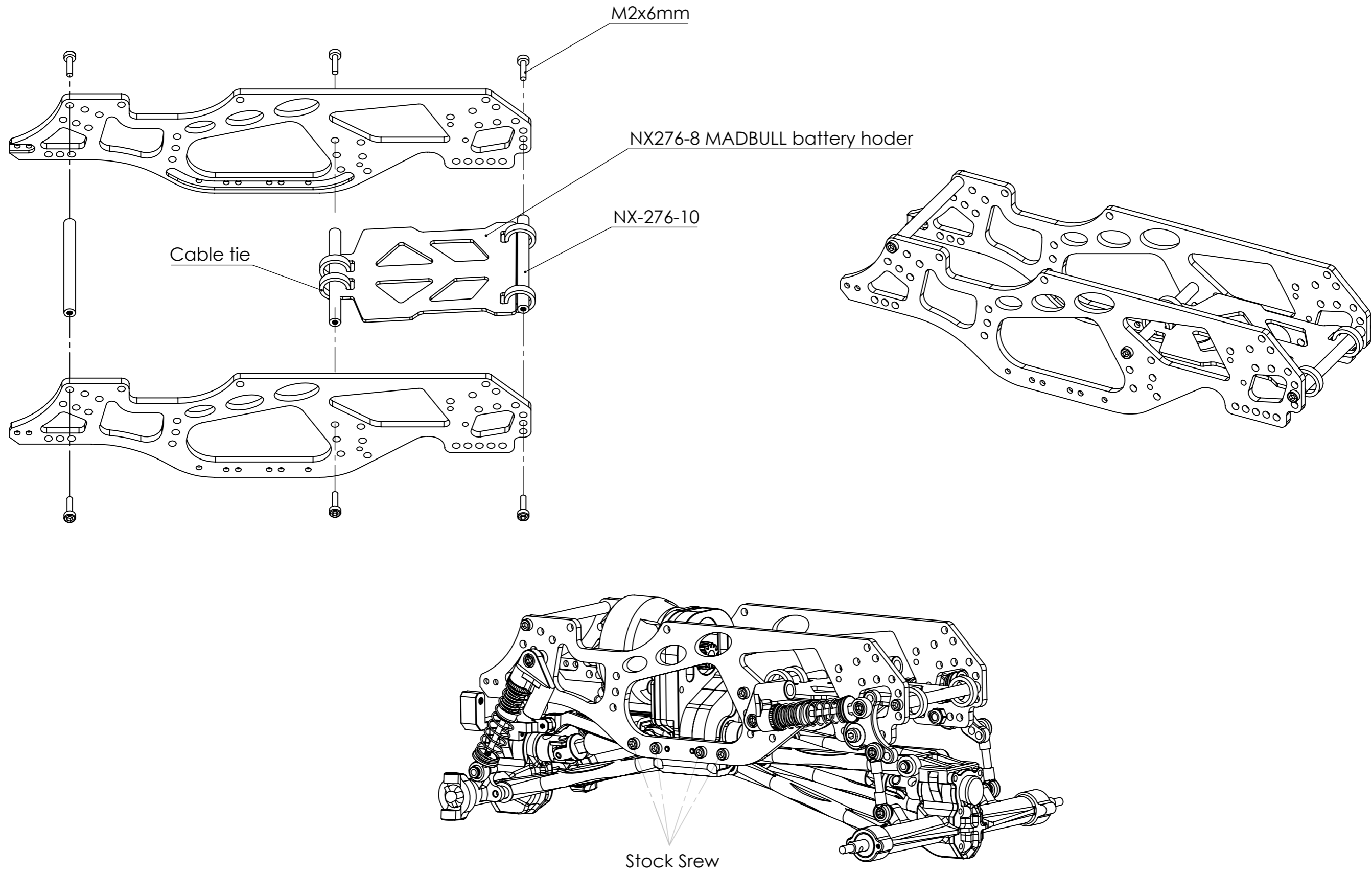
- NX-292-1 Chassis L
- NX-292-2 Chassis R
- NX-276-6 Threaded Adapter
- NX-276-7 V Adapter
- NX-276-10 SPACER
- NX-263-22 HEX BALL
- NX-263-31 PLASTIC BALL LINK
- NX276-8 MADBULL chassis battery tray
- M2x6MM Button
- FLAG BEARING 5mmx2mmx2.5mm
- WASHER 4mmx2mmx1mm
- WASHER 4mmx2mmx2mm
- Screw M2x4mm

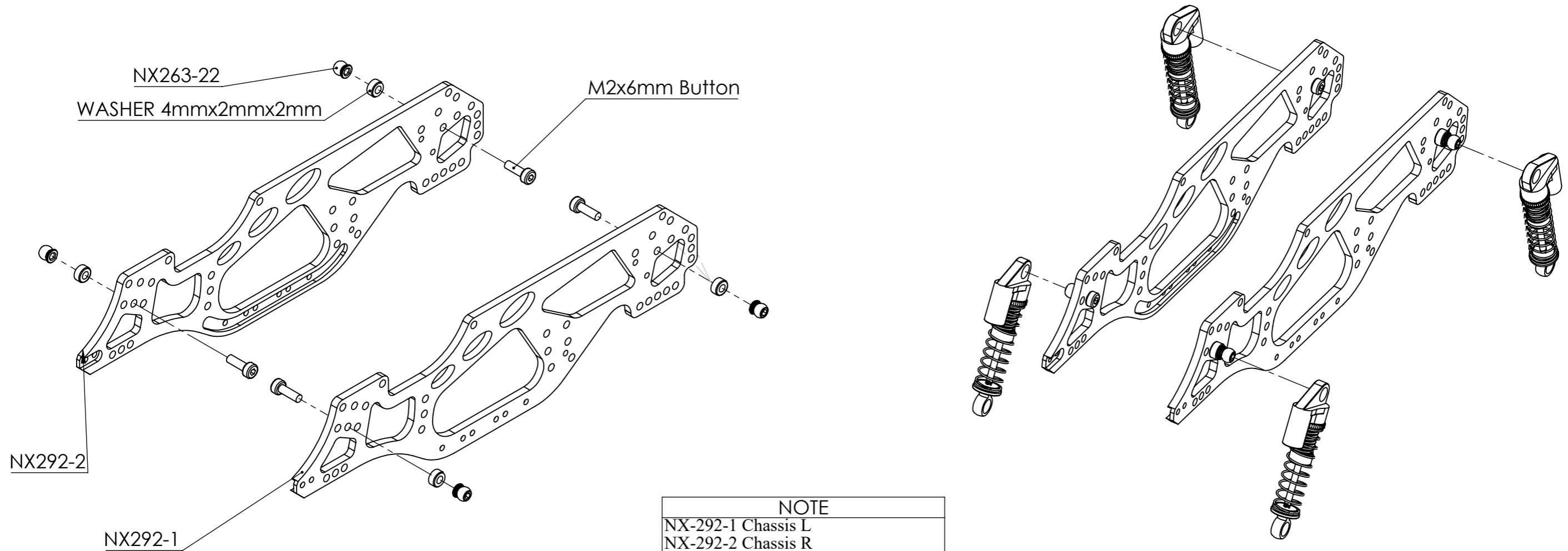


# With Stock motor

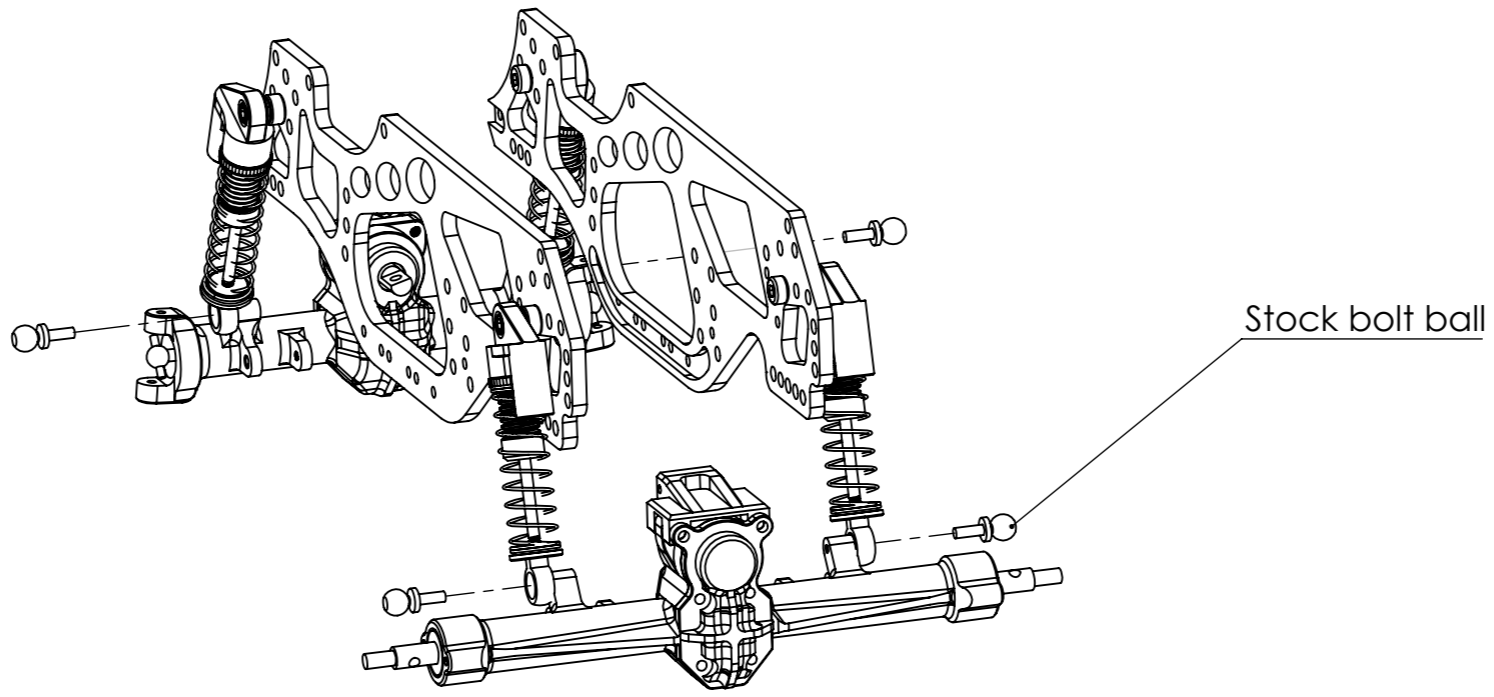


# With NX-281-GR NexxRacing Conversion of Gearbox Set and 2204 Motor

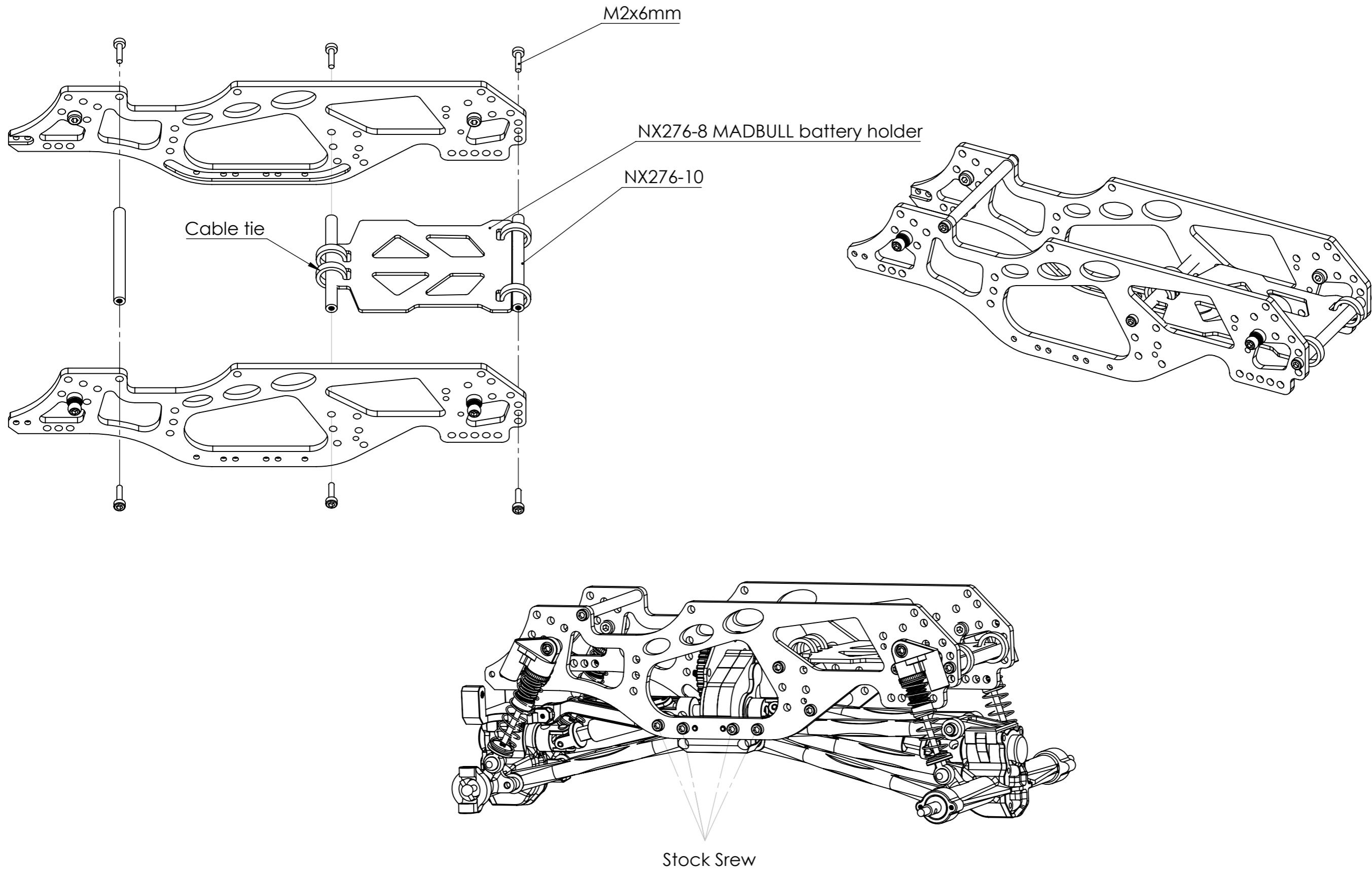




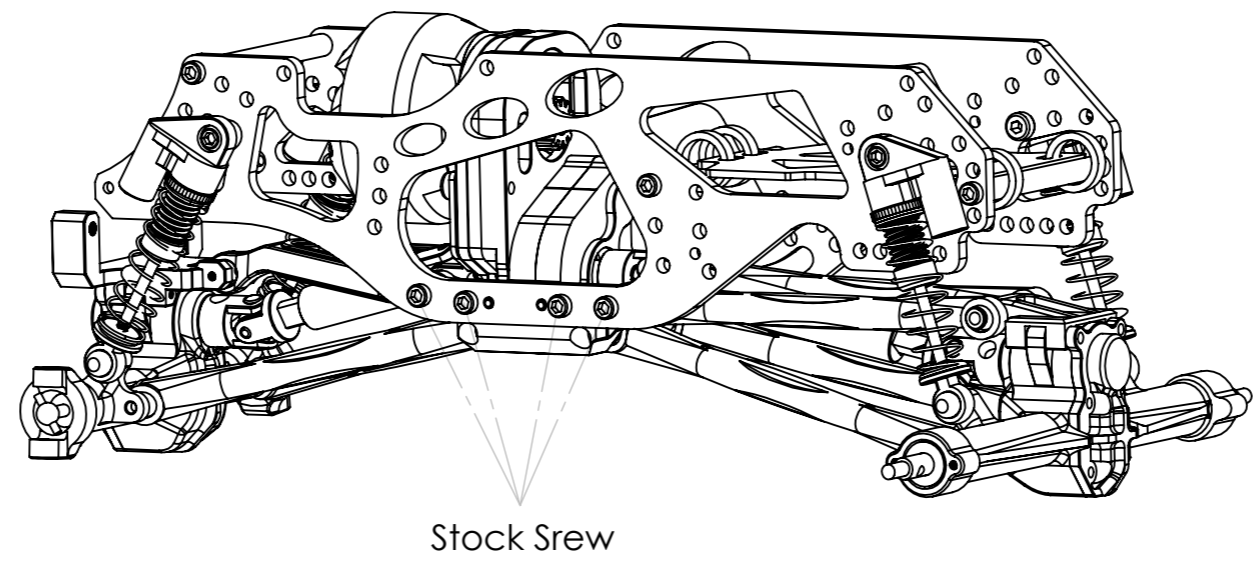
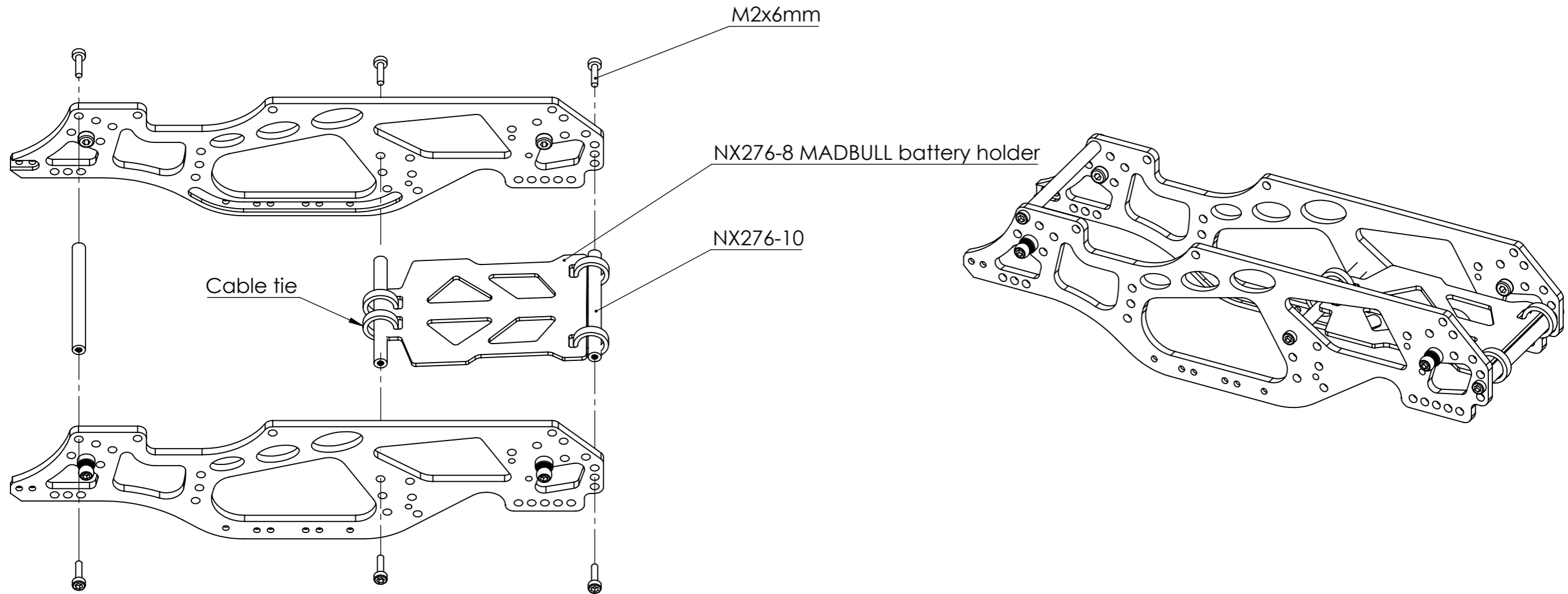
NOTE  
NX-292-1 Chassis L  
NX-292-2 Chassis R  
NX-276-10 SPACER  
NX-263-22 HEX BALL  
NX276-8 MADBULL chassis battery tray  
M2x6MM Button  
WASHER 4mmx2mmx2mm



# With Stock Motor

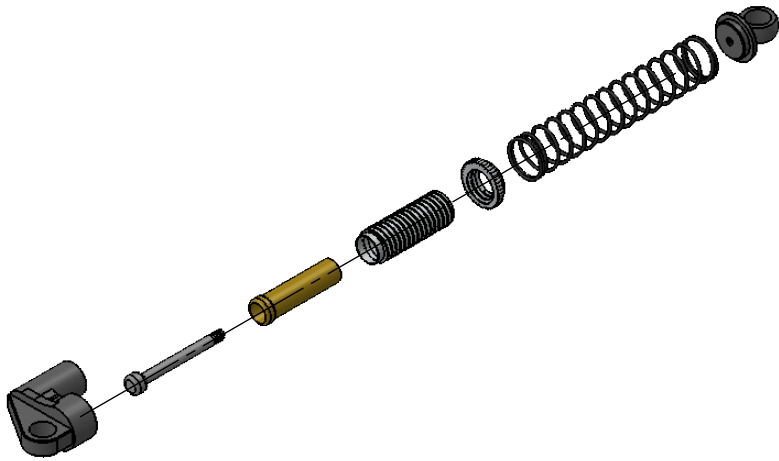
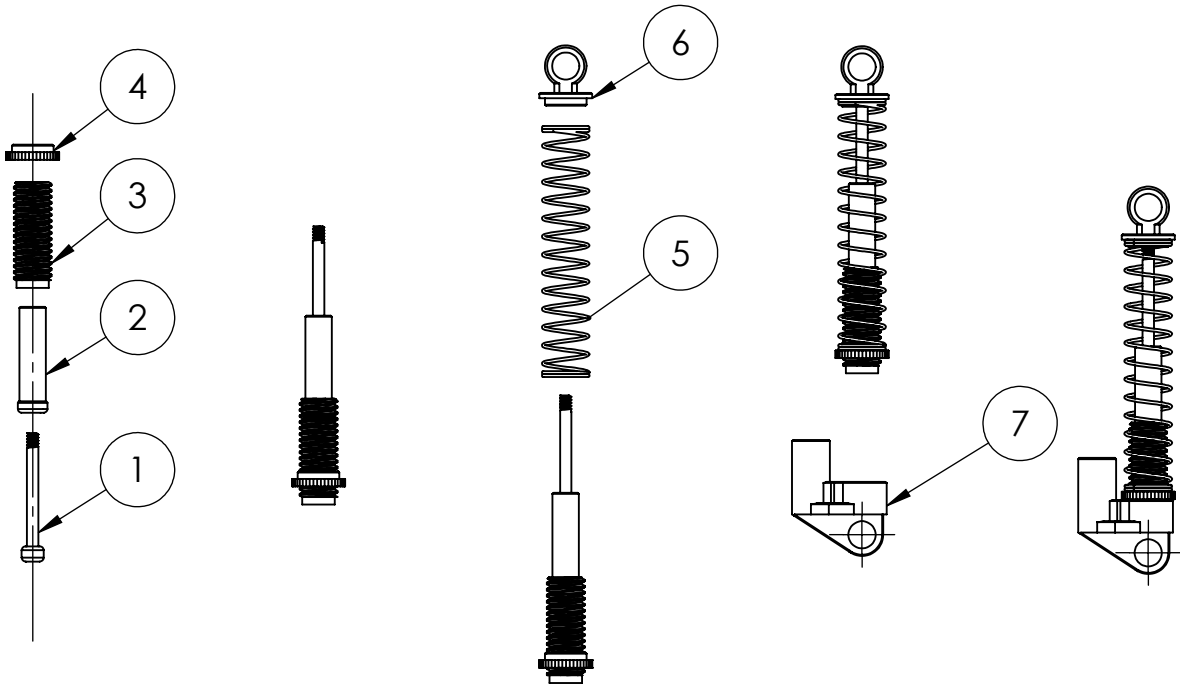


# With NX-281-GR NexxRacing Conversion of Gearbox Set and 2204 Motor





# SCX24 NX226



Number	Product code
1	SCX24 Stock part
2	NX226-5
3	NX226-3
4	NX226-4
5	NX226-9 or NX226-12
6	SCX24 Stock part
7	SCX24 Stock part