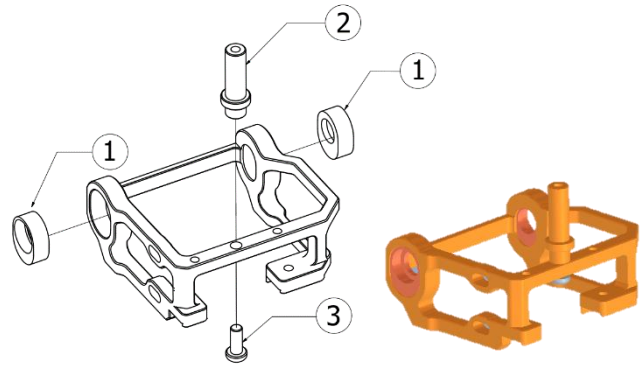


NX-247 NEXXRACING GIMBAL MOTOR MOUNT FOR PN2.5 CHASSIS

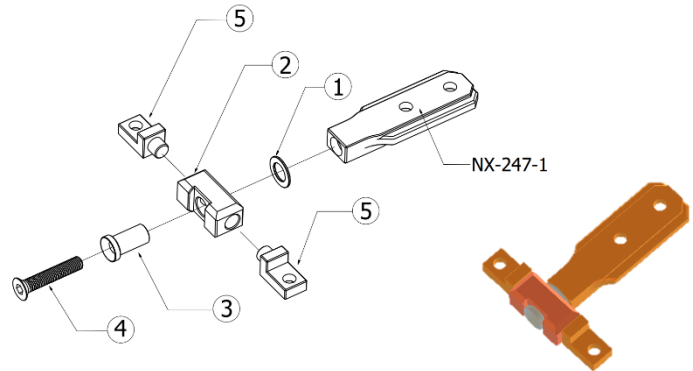
1

NUMBER	PRODUCT CODE/NAME
1	NX-040
2	NX-262-2
3	M2x5mm



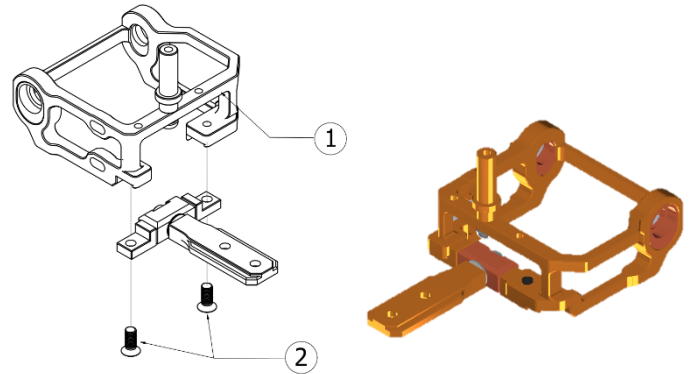
2

NUMBER	PRODUCT CODE/NAME
1	Washer 3X5X0.3
2	NX-247-3
3	NX-247-4
4	Flat M2x10mm
5	NX-247-2

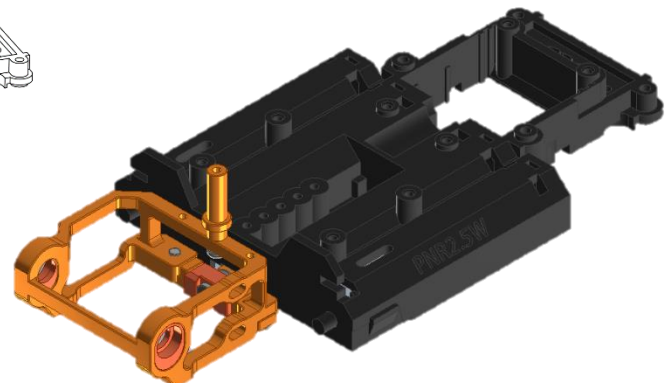
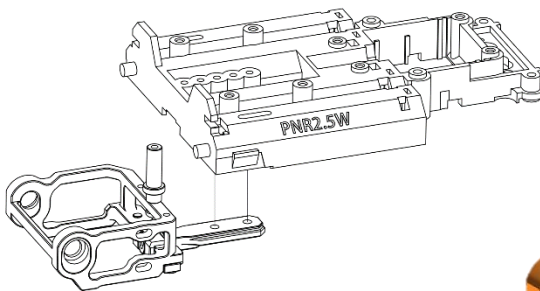


3

NUMBER	PRODUCT CODE/NAME
1	NX-247-5
2	Flat M2x4mm



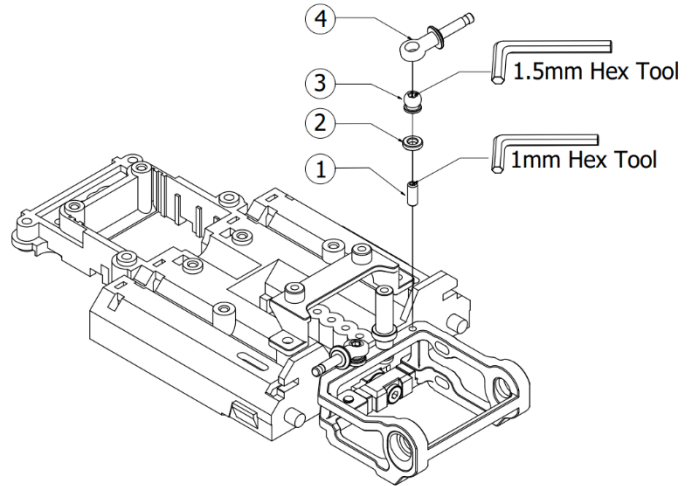
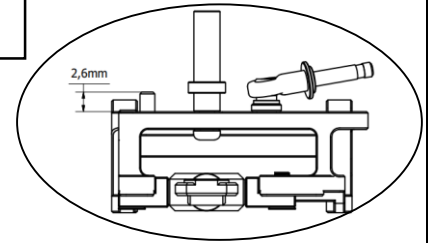
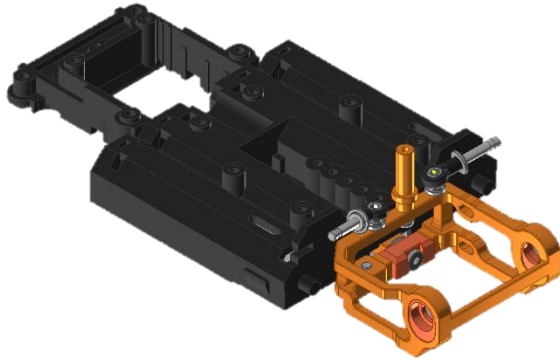
4



5

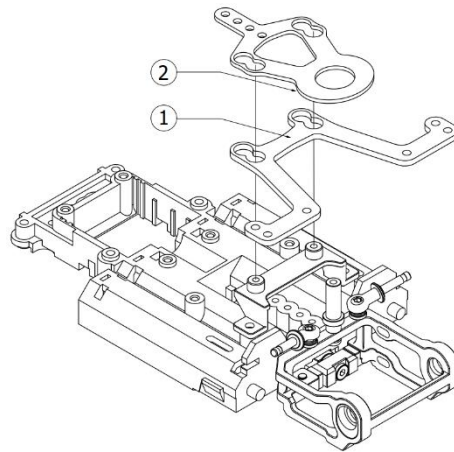
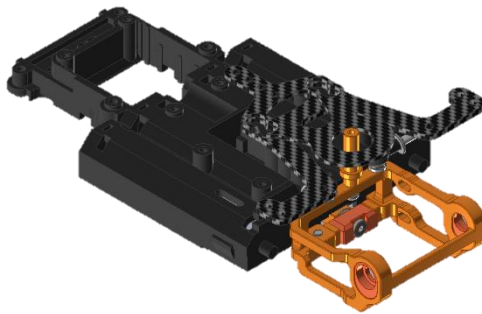
USE WITH NX-283 NEXXRACING TRIDAMPER SYSTEM.

NUMBER	PRODUCT CODE/NAME
1	Set screw M2x5mm
2	2x4x1mm Aluminum Spacer
3	NX-263-22
4	NX-263-31



6

NUMBER	PRODUCT CODE/NAME
1	NX-283-1
2	NX-262-3



7

NUMBER	PRODUCT CODE/NAME
2	M2x3mm

